

Mitsubishi (MHI) Contents

Turbo Model	Catalogue Contents	Page No.	Notes
	MHI to Melett Cross Reference	1	Updated
TF035	Applications List	7	
TF035	Repair Kits / Oversize Bearings & Piston Rings	9	
TF035	Major Parts (Shafts , Comp Wheels)	10	Parts Added
TF035	Turbine Housings	11	Parts Added
TF035	Turbo Build Sheets	12	Updated
TC04	Repair Kits	17	
TD04	Applications List	20	Updated
TD04	Repair Kits / Oversize Bearings & Piston Rings	25	
TD04	Upgrade Parts and Kits	27	
TD04	Major Parts (Shafts , Comp Wheels)	28	Parts Added
TD04	Major Parts (Bearing Housing / Heat Shields)	30	Parts Added
TD04	Turbine Housings	31	Parts Added
TD04	Turbo Build Sheets	32	Updated
TD05/6 & TE05	Repair Kits / Oversize Bearings & Piston Rings	41	
TD05/6 & TE05	Upgrade Parts and Kits (Standard & Evolution)	43	

Mitsubishi TF035 Type Turbos

OE Applications List (MHI Turbo & Core No.s)
Common Service Parts
Oversize Service Parts
Major Replacement Parts
(Shaft & Wheels, Compressor Wheels etc)
Turbine Housings

TF035 Type

Applications List

Brand Name	Brand model	Year	Engine Type	MHI Turbo No.	MHI Core Assy No.	MHI Model Code
Chrysler	Gran Cherokee	98-	2.5L D	49135-05500	49135-08400	TF035HL
Ford	Transit	00-	PUMA 2.4L 55KW	49135-06020	49135-08210	TF035HM-10T
Ford	Transit	00-	PUMA 2.4L 66KW	49135-06010	49135-08200	TF035HM-12T
Ford	Transit		PUMA 2.4L 88KW	49135-06030	49135-08200	TF035HM-12T
Fuji			58T	49135-04690	49135-08300	TF035HM-14T
Hyundai			4D56(A1)	49135-04000	49135-08030	TF035HM-10T
Hyundai			A1(EURO- 2)	49135-04010	49135-08030	TF035HM-10T
Iveco	Alfo Genset		ALFO	49135-05060	49135-08100	TF035HM-13T-6
Iveco	Cina 2.8L D		2.8L D	49135-05080	49135-08100	TF035HM-13T-6
Iveco	Daily	96-	2.8L D	49135-05030	49135-08100	TF035HM-13T-6
Iveco	Turbo 2.8LD		R.V.I-TCA	49135-05020	49135-08100	TF035HM-13T-6
Iveco	Turbo daily 2.8LD	96-	GAMMAS-TCA	49135-05000	49135-08100	TF035HM-13T-6
Iveco	Turbo daily 2.8LD		GAMMAS-TC	49135-05010	49135-08100	TF035HM-13T-6
Fiat	Ducato		DUCATO-TC	49135-05050	49135-08100	TF035HM-13T-6
Mitsubishi	Kanter		4M40	49135-03300	49135-08000	TF035HM-12T
Mitsubishi	Challanger 2.8LD	98-	4M40(96-Q-DOM)	49135-03110	49135-08000	TF035HM-12T
Mitsubishi	Delicia		4M40(W-CAR)	49135-03101	49135-08000	TF035HM-12T
Mitsubishi	L200		4D56(QEC) 2.5L D	49135-02110	49135-08020	TF035HM-12T
Mitsubishi	L400			49135-02230	49135-08040	TF035HM-10T
Mitsubishi	Pajero 2.8L		4M40('98EU)Q 2.8L D	49135-03130	49135-08000	TF035HM-12T-4
Mitsubishi	Pajero 3.2L			49135-03410	49135-08500	TF035HL-14GK
Renault	Master	97-	2.8L D	49135-05040	49135-08100	TF035HM-13T-6
Renault	Messenger B110	97-	2.8L D	49135-05030	49135-08100	TF035HM-13T-6
Renault	Messenger B120	97-	2.8L D	49135-05020	49135-08100	TF035HM-13T-6
Santana	4x4			49135-05070	49135-08100	TF035HM-13T-6
Subaru	Forester	00-	2.0L P	49135-04700	49135-08300	TF035HM-14T
Subaru	Forester	99-	58T 2.0L P	49135-04600	49135-08300	TF035HM-14T-4

Note: This list is not complete but contains the most popular applications. Melett constantly updates their extensive database on a daily basis. If the application or turbo model information required is not in this list, contact Melett Technical Dept.

MHI Model Code Explained

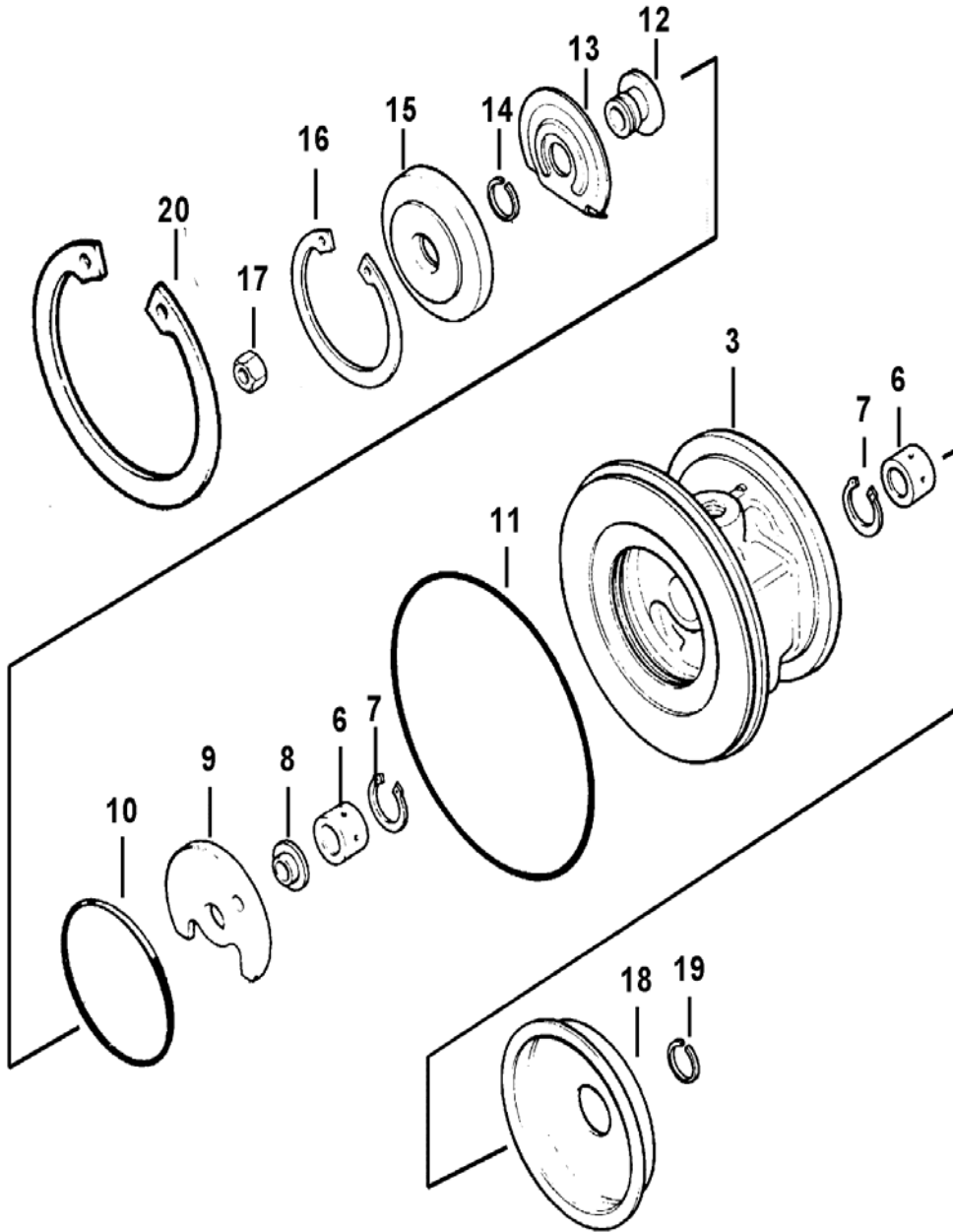
The MHI model code gives the main component parts for each turbo build e.g. TF035HM-13T-6 means...

TF035	HM-	13T-	6
Turbo Family	Shaft & Wheel designation	Compressor wheel designation	Turbine housing A/R

This information can be used to determine the correct shaft and wheel or compressor wheel required when reconditioning. See page TF035-5 for a full major parts 'Where Used' list giving available Melett parts for each turbo build.

TF035 Type

Component Parts Common



This illustration is a guide and does not necessarily show all parts accurately

TF035 Type

Repair Parts & Service Kits

All parts are available for purchase as individual components or in the following popular Repair Kits

Key	Part Description	MELETT Part Number	Qty Per Turbo	Repair Kit Minor 1401-635-750	Repair Kit Major 1401-635-751
6	Bearing (Std)	1401-635-100	2	2	2
7	Snap Ring	1401-404-140	2	2	2
8	Thrust Ring	1401-404-240	1		1
	Spiral Snap Ring (as genuine)	1401-404-141	2	2	2
9	Thrust Bearing	1401-404-320	1	1	1
10	"O" Ring (Insert)	1401-404-150	1	1	1
11	"O" Ring (B/Hsg-C/Hsg)	1401-404-155	1	1	1
12	Flinger (Super back Comp Wheel)	1401-635-200	1		1
13	Oil Deflector	1401-404-310	1		
14	Piston Ring (Comp)	1401-404-170	1	1	1
15	Insert (Super back Comp Wheel)	1401-635-300	1		1
16	Snap Ring (Insert Retainer)	1401-404-145	1		
17	Shaft Nut (Left hand thread)	1401-404-351	1	1	1
18	Heat Shield (Air cooled B/Hsg)	1401-404-340	1		
19	Piston Ring (Turb)	1401-404-160	1	1	1
20	Snap Ring (Comp/Hsg to Brg/Hsg)	N/A	1		
	Gasket Oil Outlet	1900-000-042	1		1

Oversize Repair Parts Available

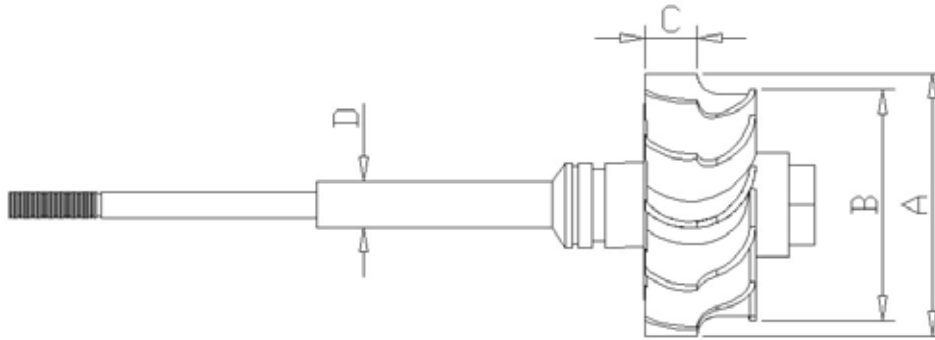
Journal Bearings		
Original MHI Part Number (Std/Std): 49135-21100		
Oversize's Available		Part Number
OD +.005"	ID -.005"	1401-635-110
OD +.005"	ID Std	1401-635-114
OD Std."	ID -.005"	1401-635-117
OD +.010"	ID Std	1401-635-124

Piston Rings		
Original MHI Part Number (Turb End): 49177-23100		
Oversize's Available		Part Number
Turbine End		
OD +.010	Wth Std	1401-404-180
OD Std	Wth +.010	1401-404-181
OD +.010	Wth +.010	1401-404-182

TF035 Type

Major Replacement Parts - Detail

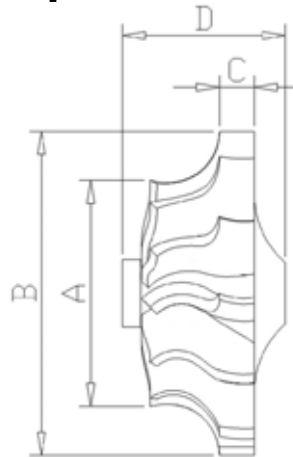
Shaft & Wheel



Melett Part No.	To replace MHI..	(A) Inducer Ø mm's	(B) Exducer Ø mm's	(C) Tip width mm's	(D) Shaft OD mm's
1401-635-435	49135-30100 TF035 HM	43.2	36.2	6.5	6.993 – 7.000
measured across odd blades					

Dimension for shaft diameter 'D' are minimum – maximum allowable limits for use with the standard journal bearing. Melett's fully qualified Engineers are available to answer any technical enquiry regarding limits, tolerances, and turbo set-up configurations. Email: Engineer@melett.com

Compressor Wheel



Melett Part No.	To replace MHI...	Trim	(A) Inducer Ø mm's	(B) Exducer Ø mm's	(C) Tip width mm's	(D) Total Hub Length	No. of Blades
1401-635-426	49177-44410	TF035-12T	37.8	49	5	24.2	12
1401-635-427	N/K	TF035-13T	38.3	51	5	24.2	12

TF035 Type

Major Replacement Parts - Detail

Turbine Housings



Make	Model	Turbo Model	To fit turbo...	OE Housing No.	Melett Number
Mitsubishi	Pajero 2.8L	TF035	49135-03130	49135-12201	1401-635-891
Mitsubishi	L200 2.5L	TF035	49135-02110	49135-13601	1401-635-890
Mitsubishi	Pajero 2.5L	TF035	49135-02100	49135-13601	1401-635-890
Mitsubishi	Canter	TF035	49135-03300	49135-12300	1401-635-892
Mitsubishi	Pajero 3.2L	TF035	49135-03410	49135-12410	1401-635-893

TF035 Type

Major Replacement Parts – ‘Where Used’

OE Turbo No.	Turbo Model	MELETT Repair Kit	MELETT Brg Hsg	MELETT Shaft & Wheel	MELETT Comp. Wheel	MELETT Turbine Hsg
49135-02000	TF035HS-10T	1401-635-750	N/A	N/A	N/A	N/A
49135-02010	TF035HS-10T	1401-635-750	N/A	N/A	N/A	N/A
49135-02100	TF035HM-12T	1401-635-750	N/A	1401-635-435	1401-635-426	1401-635-890
49135-02110	TF035HM-12T	1401-635-750	N/A	1401-635-435	1401-635-426	1401-635-890
49135-02200	TF035HM-12T	1401-635-750	N/A	1401-635-435	1401-635-426	N/A
49135-02210	TF035HM-10T	1401-635-750	N/A	1401-635-435	N/A	N/A
49135-02220	TF035HM-12T	1401-635-750	N/A	1401-635-435	1401-635-426	N/A
49135-02230	TF035HM-10T	1401-635-750	N/A	1401-635-435	N/A	N/A
49135-02240	TF035HM-10T	1401-635-750	N/A	1401-635-435	N/A	N/A
49135-02300	TF035HM-10T	1401-635-750	N/A	1401-635-435	N/A	N/A
49135-02310	TF035HM-10T	1401-635-750	N/A	1401-635-435	N/A	N/A
49135-02400	TF035HM-12T	1401-635-750	N/A	1401-635-435	1401-635-426	N/A
49135-02500	TF035HM-10T	1401-635-750	N/A	1401-635-435	N/A	N/A
49135-02510	TF035HM-10T	1401-635-750	N/A	1401-635-435	N/A	N/A
49135-02700	TF035HS-10T	1401-635-750	N/A	N/A	N/A	N/A
49135-02710	TF035HS-10T	1401-635-750	N/A	N/A	N/A	N/A
49135-02730	TF035HS-10T	1401-635-750	N/A	N/A	N/A	N/A
49135-02800	TF035HS-10T	1401-635-750	N/A	N/A	N/A	N/A
49135-03100	TF035HM-12T	1401-635-750	N/A	1401-635-435	1401-635-426	N/A
49135-03101	TF035HM-12T	1401-635-750	N/A	1401-635-435	1401-635-426	N/A
49135-03110	TF035HM-12T	1401-635-750	N/A	1401-635-435	1401-635-426	N/A
49135-03111	TF035HM-12T	1401-635-750	N/A	1401-635-435	1401-635-426	N/A
49135-03112	TF035HM-12T	1401-635-750	N/A	1401-635-435	1401-635-426	N/A
49135-03120	TF035HM-12T	1401-635-750	N/A	1401-635-435	1401-635-426	N/A
49135-03130	TF035HM-12T	1401-635-750	N/A	1401-635-435	1401-635-426	1401-635-891
49135-03200	TF035HM-12T	1401-635-750	N/A	1401-635-435	1401-635-426	N/A
49135-03210	TF035HM-12T	1401-635-750	N/A	1401-635-435	1401-635-426	N/A
49135-03220	TF035HM-12T	1401-635-750	N/A	1401-635-435	1401-635-426	N/A
49135-03300	TF035HM-12T	1401-635-750	N/A	1401-635-435	1401-635-426	1401-635-892
49135-03301	TF035HM-12T	1401-635-750	N/A	1401-635-435	1401-635-426	N/A
49135-03310	TF035HM-12T	1401-635-750	N/A	1401-635-435	1401-635-426	N/A
49135-03410	TF035HL-14G	1401-635-750	N/A	N/A	N/A	1401-635-893
49135-04000	TF035HM-10T	1401-635-750	N/A	1401-635-435	N/A	N/A
49135-04010	TF035HM-10T	1401-635-750	N/A	1401-635-435	N/A	N/A
49135-04600	TF035HM-14T	1401-635-750	N/A	1401-635-435	N/A	N/A
49135-04690	TF035HM-14T	1401-635-750	N/A	1401-635-435	N/A	N/A
49135-04700	TF035HM-14T	1401-635-750	N/A	1401-635-435	N/A	N/A
49135-05000	TF035HM-13T	1401-635-750	N/A	1401-635-435	1401-635-427	N/A
49135-05010	TF035HM-13T	1401-635-750	N/A	1401-635-435	1401-635-427	N/A
49135-05020	TF035HM-13T	1401-635-750	N/A	1401-635-435	1401-635-427	N/A
49135-05020	TF035HM-13T	1401-635-750	N/A	1401-635-435	1401-635-427	N/A
49135-05030	TF035HM-13T	1401-635-750	N/A	1401-635-435	1401-635-427	N/A
49135-05030	TF035HM-13T	1401-635-750	N/A	1401-635-435	1401-635-427	N/A

TF035 Type

Major Replacement Parts – ‘Where Used’

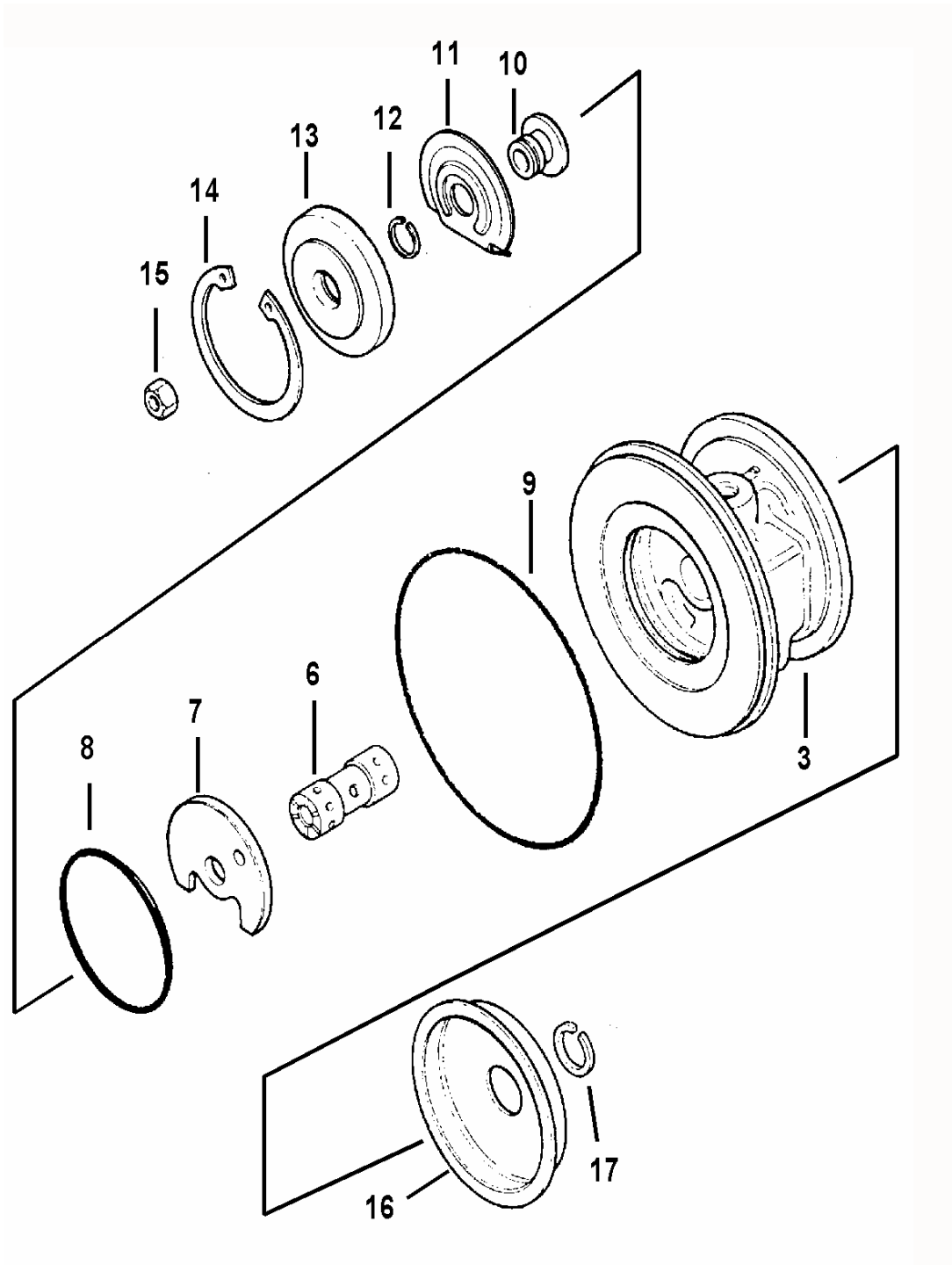
OE Turbo No.	Turbo Model	MELETT Repair Kit	MELETT Brg Hsg	MELETT Shaft & Wheel	MELETT Comp. Wheel	MELETT Turbine Hsg
49135-05040	TF035HM-13T	1401-635-750	N/A	1401-635-435	1401-635-427	N/A
49135-05050	TF035HM-13T	1401-635-750	N/A	1401-635-435	1401-635-427	N/A
49135-05060	TF035HM-13T	1401-635-750	N/A	1401-635-435	1401-635-427	N/A
49135-05070	TF035HM-13T	1401-635-750	N/A	1401-635-435	1401-635-427	N/A
49135-05080	TF035HM-13T	1401-635-750	N/A	1401-635-435	1401-635-427	N/A
49135-05090	TF035HM-13T	1401-635-750	N/A	1401-635-435	1401-635-427	N/A
49135-05500	TF035HL	1401-635-750	N/A	N/A	N/A	N/A
49135-06000	TF035HM-12T	1401-635-750	N/A	1401-635-435	1401-635-426	N/A
49135-06010	TF035HM-12T	1401-635-750	N/A	1401-635-435	1401-635-426	N/A
49135-06020	TF035HM-10T	1401-635-750	N/A	1401-635-435	N/A	N/A
49135-06030	TF035HM-12T	1401-635-750	N/A	1401-635-435	1401-635-426	N/A
49135-06500	TF035HM	1401-635-750	N/A	1401-635-435	N/A	N/A

Mitsubishi TC04 Type Turbos

Common Service Parts

TC04 Type

Component Parts Common



This illustration is a guide and does not necessarily show all parts accurately

TC04 Type

Repair Parts & Service Kits

All parts with part numbers are available for purchase as individual components.

Key	Part Description	MELETT Part Number	Quantity Per Turbo
3	Bearing Hsg Assembly	N/A	1
6	Bearing (Std)	N/A	1
7	Thrust Bearing	N/A	1
8	"O" Ring (Insert)	1401-404-150	1
9	"O" Ring (B/Hsg-C/Hsg)	1401-404-155	1
10	Thrust Sleeve	N/A	1
11	Oil Deflector	N/A	1
12	Piston Ring (Comp)	1401-404-170	1
13	Insert	N/A	1
14	Snap Ring (Insert retainer)	N/A	1
15	Shaft Nut	1401-404-350	1
16	Heat Shield	N/A	1
17	Piston Ring (Turb)	1401-404-160	1
	Snap Ring (Comp/Hsg to Brg/Hsg)	N/A	1

Mitsubishi TD04 Type Turbos

OE Applications List (MHI Turbo & Core No.s)
Common Service Parts
Oversize Service Parts
Performance Upgrade Parts
Major Replacement Parts
(Shaft & Wheels, Compressor Wheels etc)
Bearing Housings
Turbine Housings

TD04 Type Applications List

Brand Name	Brand model	Year	Engine Type	Turbo Assy	Core	Model
BMW	524		BMW	49177-06100	49177-09600	TD04-11B-4
BMW	324TD	87-91	BMW M21D24WA	49177-06200	49177-09600	TD04-11B-4
BMW	325 TDS	93-98	M51	49177-06510	49177-09610	TD04-11G-5
BMW	325/ 525 TDS		M51	49177-06500	49177-09610	TD04-11G-5
BMW	325TD	91	BMW M51	49177-06400	49177-09610	TD04-11G-4
BMW	325TD	93-95	M51	49177-06410	49177-09610	TD04-11G-4
BMW	524 TD	87-91	BMW M21D24WA	49177-06000	49177-09600	TD04-11B-4
BMW	525 TD	94-	M51	49177-06461	49177-09660	TD04-13T-4
BMW	525 TD	94-	M51	49177-06471	49177-09660	TD04-13T-4
BMW	525 TD	94-	M51	49177-06481	49177-09660	TD04-13T-4
BMW	525 TDS	96-98	M51	49177-06451	49177-09660	TD04-13T-4
BMW	525 TDS	93-96	M51 E34	49177-06540	49177-09620	TD04-11G-5
BMW	525 TDS 96	96-98	M51	49177-06581	49177-09660	TD04-13T-4
BMW	525TD	93-95	M51E34	49177-06440	49177-09620	TD04-11G-4
BMW	725 TDS	96-	M51	49177-06571	49177-09660	TD04-13T-4
BMW			Pro.2800	49177-06422	49177-09610	TD04-11G-4
BUKH			DV60ME	49177-05300	49177-09100	TD04-5B
BUKH			DV60ME	49177-05400	49177-09100	TD04-5B
Chrysler				49377-00100	49377-08200	TD04
Chrysler				49377-00110	49377-08220	TD04
Chrysler				49377-00130	49377-08250	TD04
Chrysler				49377-00140	49377-08250	TD04
Citroen	XM	90-93	XUD11ATE	49177-07900	49177-09050	TD04-11B-5
Dodge	D-50 2.3L /PICK UP		D-50 TRK.(W)	49177-01020	49177-08020	TD04-9B-4
Dodge	MIRAGE	88-89	1.6LP	49177-01810	49177-09020	TD04-11B-4
Dodge	Mirage 1.6L	87-	COLT FF (W)	49177-01310	49177-08030	TD04-9B-5
Dodge	Stealth (Left)	92-	3.0LP 6G72 DOM(L)	49177-02410	49377-08020	TD04-9B-6
Dodge	Stealth (Right)	92-	3.0LP 6G72 DOM(R)	49177-02310	49377-08020	TD04-9B-6
Dodge	STEALTH91-94 L		Upgrade	49177-00420	49377-08040	TD04L-13G
Dodge	STEALTH91-94 R		Upgrade	49177-00320	49377-08040	TD04L-13G
Fiat	Croma	87-92	2.0LD CROMA-DI	49177-05800	49177-09310	TD04-9B-4
Fiat	Ducato	88-92	M705HT 1.9LD	49177-05500	49177-09420	TD04-7B-4
Ford	ALL RANGER2.3L	83	4D5 US FORD	49177-01000	49177-08020	TD04-9B-4
Fuji			54P	49377-04090	49377-08110	TD04
Fuji			55A,71G	49377-04290	49377-08120	TD04L-13T-6
Fuji			58T	49377-04180	49377-08120	TD04L-13T-6
Fuji			58T	49377-04190	49377-08120	TD04L-13T-6
Hyundai			4D56	49177-07500	49177-08020	TD04-9B-4
Hyundai			4D56	49177-07501	49177-08020	TD04-9B-4
Iseki Nouki			3AB1-T	49177-03600	49177-08080	TD04L-5C
Iseki Nouki			E3ADI-H	49177-03500	49177-08060	TD04S-5C
Iveco	DUCATO EURO III	99-	2.8LD	49377-07070	49377-08900	TD04L
Iveco	DUCATO JTD EURO III	00-	2.8LD	49377-07050	49377-08900	TD04L
Iveco	S2000 78 KW		78KW	49377-07010	49377-08900	TD04L
Iveco	S2000 92 KW		92KW	49377-07000	49377-08900	TD04L
Jcb			4BD1-T	49189-00511	49189-08100	TD04HL-15G-11
Jcb			4BG1T	49189-00540	49189-08100	TD04HL-15G-12
Kato	HD450SE/SV/V2		4D31T	49189-00800	49189-08110	TD04HL-13G
Komatsu			S4D95L	49377-01500	49177-08500	TD04
Komatsu			S4D95L	49377-01510	49177-08500	TD04

TD04 Type Applications List

Brand Name	Brand model	Year	Engine Type	Turbo Assy	Core	Model
Komatsu			S4D95L	49377-01520	49177-08500	TD04
Komatsu			S4D95L	49377-01530	49177-08500	TD04
Komatsu			S4D95L	49377-01590	49177-08500	TD04
Kubota			A47GT	49189-00900	49189-08110	TD04HL-13G
Kubota			A47G-T	49177-03120	49177-09500	TD04-5B-2.5
Kubota			A6T DI	49177-03000	49177-09500	TD04-5B-2.5
Kubota			V1502-B	49177-03100	49177-09500	TD04-5B-2.5
Kubota			V1512-DI T1	49177-03110	49177-09500	TD04-5B-2.5
Kubota			V3300-T	49177-03130	49177-08300	TD04-12T
Land Rover	Range Rover 2.5LD	94-	2245241BMW	49177-06430	49177-09610	TD04-11G-4
Mitsubishi	COLT 1.6L P	88-89		49177-01810	49177-09020	TD04-11B-4
Mitsubishi	COLT 1.6L	83-88	LA G32B FF W	49177-01300	49177-08030	TD04-9B-5
Mitsubishi	COLT 1.6L	87-	COLT FF (W)	49177-01310	49177-08030	TD04-9B-5
Mitsubishi	Colt/Cordia/Tredia 1.6L	83-88	LA FF EC WAT	49177-01600	49177-08030	TD04-9B-6
Mitsubishi	Colt/Delica/Pajero		2.5LD DE 4D56	49177-01511	49177-08020	TD04-9B-4
Mitsubishi	COLT/DELICIA		4D56 W I/C	49177-02520	49177-08270	TD04
Mitsubishi	Delica/L300 4WD		2.5LD 4D56 DE EC	49177-01515	49377-08400	TD04-10T
Mitsubishi	Eagle	89-94	2.0L	49177-01901	49177-08210	TD04-13G-5
Mitsubishi	Eclipse	89-94	2.0L 4G63 AT	49177-01900	49177-09010	TD04-13G-5
Mitsubishi	GALANT 1.8TD		4D65	49177-01220	49177-08020	TD04-9B-3
Mitsubishi	GALANT 1.8TD '84		YF 4D65 EC	49177-01100	49177-08020	TD04-9B-4
Mitsubishi	GT3000 (Left) 3.0LP	92-	6G72 DOM(L)	49177-02410	49377-08020	TD04-11G-6
Mitsubishi	GT3000 (Right) 3.0LP	92-	6G72 DOMI	49177-02310	49377-08020	TD04-11G-6
Mitsubishi	GT3000 L	91-94	UPGRADE	49177-90420	49377-08040	TD04-13G-6
Mitsubishi	GT3000 R	91-94	UPGRADE	49177-90320	49377-08040	TD04-13G-6
Mitsubishi	L200 2.5LD	96-	4D56PB	49177-01503	49177-08240	TD04-10T-4
Mitsubishi	L200 2.5LD		4D56 PB DOM	49177-01504	49377-08400	TD04-10T
Mitsubishi	L200		4DR6T	49177-02100	49177-09200	TD04-7B-5
Mitsubishi	L200		4DR6T	49177-02110	49177-09210	TD04-7B-4
Mitsubishi	L200/BUFFALO 2.5LD	96-	4D56 PB EC	49177-01505	49377-08400	TD04-10T
Mitsubishi	Pajero/Shogun 2.5LD		4D56 DE	49177-01510	49177-08020	TD04-9B-4
Mitsubishi	L300 (2WD)		4D56 DET STD	49377-02001	49177-08260	TD04-10T
Mitsubishi	L300 (2WD)		4D56 DET STD	49377-02002	49377-08410	TD04-10T
Mitsubishi	L300 (4WD) 2.5LD		4D56 DE	49177-01513	49177-08240	TD04-10T-4
Mitsubishi	L400		4D56 W EC	49177-02531	49377-08410	TD04-10T
Mitsubishi	L400		4D56 W I/C	49177-02530	49177-08260	TD04-10T
Mitsubishi	Marooka 4SD		4D31T	49189-00820	49189-08100	TD04HL-15G
Mitsubishi	Montero	86	2.3LD	49177-01010	49177-08020	TD04-9B-4
Mitsubishi	Montero		D-50 TRK.(W)	49177-01020	49177-08020	TD04-9B-4
Mitsubishi	Pajero	84-91	2.3LD	49177-01010	49177-08020	TD04-9B-4
Mitsubishi	Pajero	87-	4D56Q EC	49177-02513	49377-08510	TD04-11G-4
Mitsubishi	Pajero		4D56Q(MY91)DOM	49177-02510	49177-08110	TD04-11G-4
Mitsubishi	Pajero		4M4(DOM)	49377-03033	49177-08300	TD04-12T
Mitsubishi	PAJERO 2.5 I/C		4D56Q(MY91)DOM	49177-02511	49177-08110	TD04-11G-4
Mitsubishi	PAJERO 2.5L		4D56Q DOM	49177-02503	49377-08510	TD04-11G-4
Mitsubishi	PAJERO 2.5L	87-	4D56Q EC	49177-02512	49177-08250	TD04-11G-4
Mitsubishi	PAJERO 2.5L '99		4D56Q(MY91)EC	49177-02501	49177-08110	TD04-11G-4
Mitsubishi	PAJERO 2.5LD	84-91	SJ 4D56	49177-01500	49177-08020	TD04-9B-4
Mitsubishi	PAJERO 2.5LD	84-91	SJ 4D56	49177-01501	49177-08020	TD04-9B-4

TD04 Type Applications List

Brand Name	Brand model	Year	Engine Type	Turbo Assy	Core	Model
Mitsubishi	PAJERO 2.8L		4M4(EFTA)	49377-03053	49177-08300	TD04-12T
Mitsubishi	Power Ram 27	86	2.3LD	49177-01010	49177-08020	TD04-9B-4
Mitsubishi	Shogun	84-91	2.3LD	49177-01010	49177-08020	TD04-9B-4
Mitsubishi	Shogun/Pajero 2.8L I/C	94-	4M4(EC)	49377-03041	49177-08130	TD04-12T
Mitsubishi	Shogun/Pajero 2.8L I/C	94-	4M4(EC)	49377-03043	49177-08300	TD04-12T
Mitsubishi	Shogun/Pajero I/C	87-	2.5LD 4D56Q EC	49177-02500	49177-08110	TD04-11G-4
Mitsubishi	SPACE GEAR		4D56 97W EC	49177-02521	49377-08520	TD04
Mitsubishi	Spacewagon 2.0LD		4D68(I/C)	49177-02702	49377-08500	TD04
Mitsubishi	Spacewagon 1.8LD	85-90	4D65 EC MF45Z	49177-01200	49177-08020	TD04-9B-4
MWM			6.07T	49189-03200	49189-09100	TD04
MWM			6.07T	49189-03201	49189-09100	TD04
MWM			T202-3	49177-05000	49177-09200	TD04-7B-6
MWM			T202-3	49177-05100	49177-09200	TD04-7B-6
Opel	Omega 2.5TD	94-96	M51(2800)	49177-06420	49177-09610	TD04-11G-4
Opel	Omega 2.5TD	96-	M51	49177-06490	49177-09610	TD04-11G-4
Peugeot	605 2.1TD	90-93	XUD11ATE	49177-07900	49177-09050	TD04-11B-5
Plymouth	Talon	89-94	2.0L	49177-01901	49177-08210	TD04-13G-5
Renault	Velsatis/ Avantime		Fu R turbo	49377-07300	49377-08350	TD04-10T-8.5
Saab	9.5	99-	B235R	49189-01800	49189-08525	TD04HL-15T-6
Saab	9000	93-98	B234R	49189-01600	49189-08500	TD04HL-15G-6
Saab	9000 Aero	94-	B234R	49189-01700	49189-08525	TD04HL-15T-6
Subaru	Impreza WRX NB	00-		49377-04300	49377-08120	TD04L-13T-6
Subaru	Impreza/Forester	98-	58T	49377-04100	49377-08120	TD04L-13T-6
Subaru	Impreza/Forester			49377-04200	49377-08120	TD04L-13T-6
Volvo	850	95	N2P20FT	49189-01400	49189-08516	TD04HL-13G-6
Volvo	850	95	N2P20FT	49189-01401	49189-08516	TD04HL-13G-6
Volvo	850	96-	N2P20FT	49189-01410	49189-08516	TD04HL-13G-6
Volvo	850	96-	N2P20FT/N2P20LT	49189-01420	49189-08516	TD04HL-13G-6
Volvo	850	97	N2P20HT	49189-01450	49189-08535	TD04HL-16T-6
Volvo	850	97	N2P20LT	49189-01430	49189-08516	TD04HL-13G-6
Volvo	850	96	N2P25LT	49189-01360	49189-08515	TD04HL-13G-7
Volvo	740/460/940/960	89-	B230FT	49189-01000	49189-08300	TD04H-13C-6
Volvo	740/460/940/960	89-	B230FT	49189-01010	49189-08300	TD04H-13C
Volvo	740/760/940/960	90-94	B200FT	49189-01200	49189-08300	TD04H-13C-6
Volvo	740/760/940/960	90-94	B200FT	49189-01210	49189-08300	TD04H-13C
Volvo	850 T5	96-	N2P23FT	49189-01300	49189-08505	TD04HL-15G-7
Volvo	850 T5	96-	N2P23FT	49189-01301	49189-08505	TD04HL-15G-7
Volvo	850 T5	96	N2P23FT	49189-01310	49189-08505	TD04HL-15G-7
Volvo	850 T5 R	96-	N2P23HT(Pro67)	49189-01330	49189-08535	TD04HL-16T-7
Volvo	850 T5-R	96-97	N2P23HT	49189-01350	49189-08535	TD04HL-16T-7
Volvo	940 2.3L P	94-95	B230FK	49189-01260	49189-08310	TD04H-13C-6
Volvo	940 2.3L P	94-95	B230FK	49189-01270	49189-08310	TD04H-13C-6
Volvo	S40		B4204T2/T3 (USA)	49377-06260	49377-08310	TD04L-12T-8.5
Volvo	S40		B4204T5	49377-06361	49377-08320	TD04
Volvo	S40		N1P20LT	49377-06351	49377-08321	TD04L-12T-8.5
Volvo	S40	00-		49377-06060	49377-08310	TD04L-12T-8.5
Volvo	S40 AUTO			49377-06160	49377-08300	TD04L-14T
Volvo	S40 MAN			49377-06010	49377-08300	TD04L-14T-6
Volvo	S40/V40	97	N1P19HT	49377-06000	49377-08300	TD04L-14T-6
Volvo	S40/V40	99	N1P19HT	49377-06150	49377-08300	TD04L-14T

TD04 Type Applications List

Brand Name	Brand model	Year	Engine Type	Turbo Assy	Core	Model
Volvo	S40/V40	97	N1P20LT	49377-06050	49377-08310	TD04L-12T-8.5
Volvo	S40/V40	97	N1P20LT	49377-06051	49377-08310	TD04L-12T-8.5
Volvo	S40/V40	98	N1P20LT	49377-06061	49377-08311	TD04L
Volvo	S70	97	N2P23FT	49189-01320	49189-08505	TD04HL-15G-7
Volvo	S70	98	N2P25LT	49189-01365	49189-08515	TD04HL-13G-7
Volvo	S70	97		49189-01335	49189-08535	TD04HL-16T-7
Volvo	S70	98		49189-01435	49189-08516	TD04HL-13G-6
Volvo	S70	98		49189-01455	49189-08535	TD04HL-16T-6
Volvo	S70	99		49189-05010	49189-08535	TD04HL-16T-7
Volvo	S70			49189-05101	49189-08535	TD04HL-16T-7
Volvo	S70	99		49189-05211	49189-08550	TD04HL-13T-6
Volvo	S70	99		49189-05310	49189-08540	TD04HL-18T
Volvo	S70 '00 T2			49189-05411	49189-08560	TD04L-19T
Volvo	S70 T3	99		49189-05111	49189-08535	TD04HL-16T-7
Volvo	S70/V70	98-	N2P23HT	49189-01355	49189-08535	TD04HL-16T-7
Volvo	S70/V70 AWD	98	N2P23RT	49189-05300	49189-08540	TD04HL-18T
Volvo	S70/V70 R	98	N2P23HTR	49189-01370	49189-08540	TD04HL-18T-7
Volvo	S70/V70 R	98	N2P23HTR	49189-01375	49189-08540	TD04HL-18T-7
Volvo	V70/S70/S80	99	N2P20LT	49377-06110	49377-08700	TD04
Volvo	X-Country 210hp		N2P25LT	49189-05200	49189-08550	TD04HL-13T-6
Volvo			N2P20HT	49189-05000	49189-08535	TD04HL-16T-7
Volvo			N2P20LT	49377-06100	49377-08700	TD04
Volvo			N2P23HT	49189-05100	49189-08535	TD04HL-16T-7
WISCON			TMDT27	49377-05000	49377-08600	TD04

MHI Model Code Explained

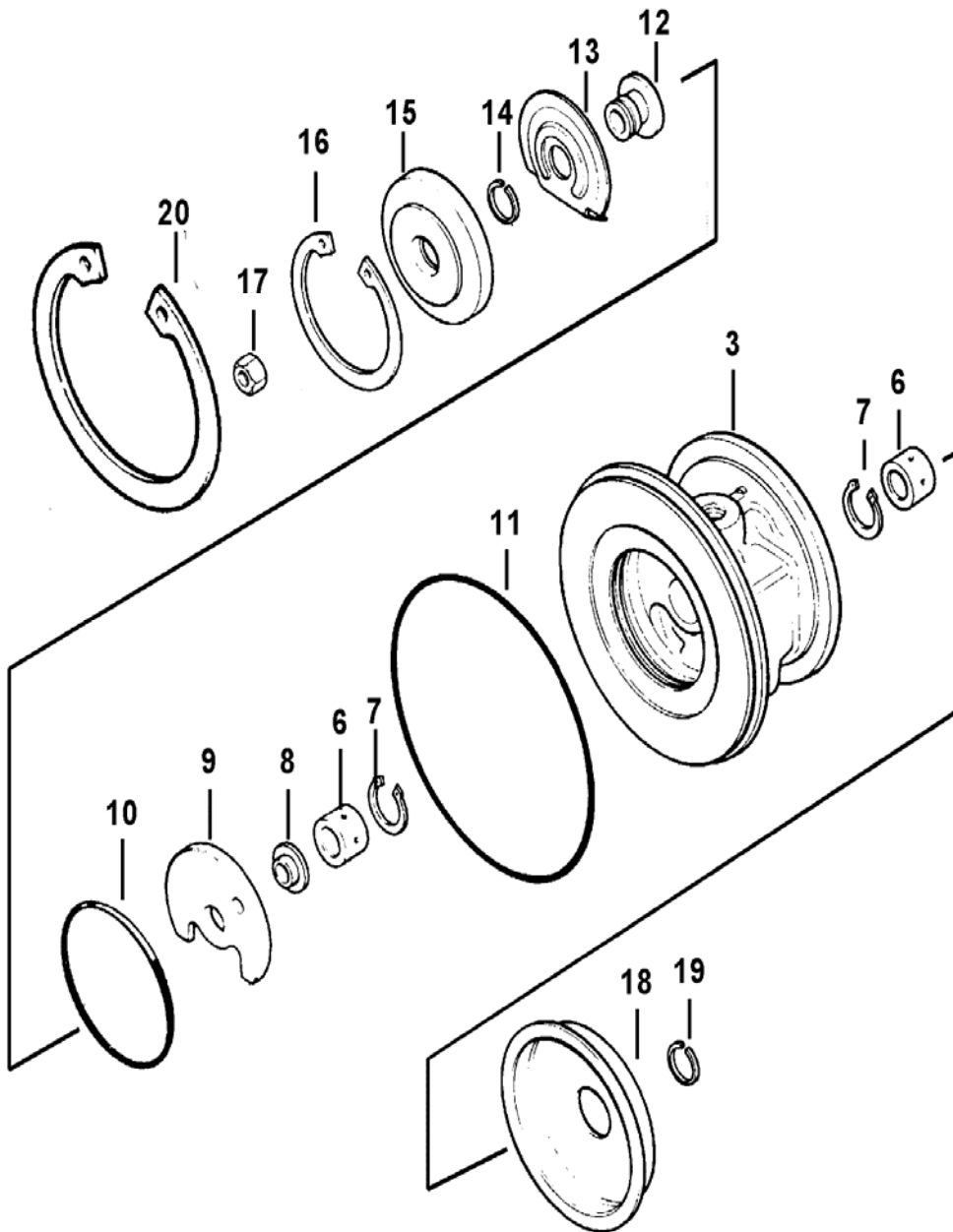
The MHI model code gives the main component parts for each turbo build e.g. TF035HM-13T-6 means...

TD04	H-	13C-	6
Turbo Family	Shaft & Wheel designation (No letter denotes standard shaft)	Compressor wheel designation	Turbine housing A/R

This information can be used to determine the correct shaft and wheel or compressor wheel required when reconditioning. See page TD04-11 for a full major parts 'Where Used' list giving available Melett parts for each turbo build.

TD04 Type

Component Parts Common



This illustration is a guide and does not necessarily show all parts accurately

TD04 Type

Repair Parts & Service Kits

All parts are available for purchase as individual components or in the following popular Repair Kits

Key	Part Description	MELETT Part Number	Qty Per Turbo	Repair Kit Minor 1401-404-751	Repair Kit Major (F/back) 1401-404-753	Repair Kit Major (S/back) 1401-404-754
6	Bearing (Std)	1401-404-100	2	2	2	2
7	Snap Ring	1401-404-140	2	2	2	2
8	Thrust Ring	1401-404-240	1		1	1
	Spiral Ring with Offset	1401-404-141	2	2	2	2
9	Thrust Bearing	1401-404-320	1	1	1	1
10	"O" Ring (Insert)	1401-404-150	1	1	1	1
11	"O" Ring (B/Hsg-C/Hsg)	1401-404-155	1	1	1	1
12	Flinger (Flat Back) 11.4mm	1401-404-200	1		1	
12	Flinger (Super Back) 9.7mm	1401-635-200	1			1
13	Oil Deflector	1401-404-310	1			
14	Piston Ring (Comp)	1401-404-170	1	1	1	1
15	Insert (Flat Back)	1401-404-300	1		1	
15	Insert (Super Back)	1401-635-300	1			1
16	Snap Ring (Insert)	1401-404-145	1			
17	Shaft Nut (RHT)	1401-404-350	1		1	1
17	Shaft Nut (LHT)	1401-404-351	1	1	1	1
18	Heat Shield (Air Cooled)	1401-404-340	1			
19	Piston Ring (Turb)	1401-404-160	1	1	1	1
20	Snap Ring (C/Hsg-B/Hsg)	N/A	1			
	Gasket Oil Outlet	1900-000-042	1		1	1

Oversize Repair Parts Available

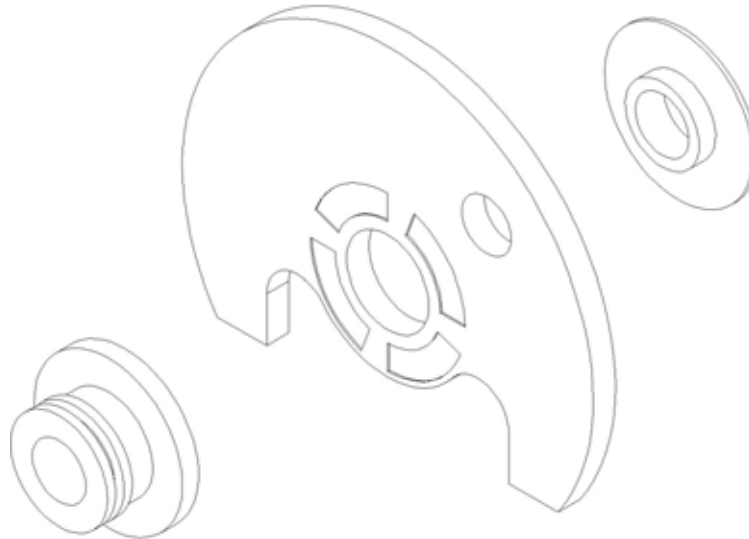
Journal Bearings		
Original MHI Part Number (Std/Std): 49177-21100		
Oversize's Available		Part Number
OD +.005"	ID -.005"	1401-404-110
OD +.005"	ID Std	1401-404-114
OD Std	ID -.005"	1401-404-117
OD +.010"	ID -.010"	1401-404-120
OD +.010"	ID Std	1401-404-124
OD +.005"	ID -.010"	1401-404-130
OD +.010"	ID -.005"	1401-404-131

Piston Rings		
Original MHI Part Number (Turb End): 49177-23100		
Oversize's Available		Part Number
Turbine End		
OD +.010	Wth Std	1401-404-180
OD Std	Wth +.010	1401-404-181
OD +.010	Wth +.010	1401-404-182

See Performance TD04 Thrust Parts in 'Upgrade Parts' Catalogue Section

TD04 Type

Performance Thrust System



For improved performance, Melett offer a 'Performance Thrust System' for the TD04 and TD05 turbo models.

Why use a Melett Performance Thrust System?

- When used in high performance applications, the original bronze material used in the standard bearing cannot carry the increased axial load. The increased centre point load over the unsupported thrust face can cause the material to flex. In extreme conditions, this flexing can create contact between the thrust faces resulting in immediate failure.
- The material used in the Performance Thrust System is a special steel alloy. The steel has a higher stress limit than bronze and is also a more rigid material, which will deflect less under the same loads.

High Performance Bearing Material

- The material used for the thrust bearing is a special alloy designed for use in applications requiring high strength and good bearing properties. It has up to 10% porosity making it an ideal bearing surface by absorbing the oil like a sponge.

Increased size of thrust face reducing contact stress

- To enable the thrust system to carry the increased load, the thrust collar and spacer are manufactured to a larger diameter. This spreads the load over a larger area.
- An extra oil feed supply hole to the centre of the bearing helps to increase lubrication to the larger thrust face and also improves cooling.

Note: These thrust parts must be used as a set and will not work in combination with the standard thrust parts.

TD04 Type Upgrade Parts

Performance Parts & Upgrade Kits

As well as supplying the Performance Thrust Kit as a separate item, Melett also offers the following upgrade kits that offer excellent value for money in comparison to buying the individual piece parts.

Description	Melett Part Number	Performance Thrust Kit 1401-404-760	Performance Service Kit 1401-404-761	Upgrade Kit (inc. Step P/R) 1401-404-762
Bearing (Std)	1401-404-100		2	2
Spiral snap ring (as Genuine)	1401-404-141		2	2
O Ring (Insert)	1401-404-150		1	1
O Ring (B/Hsg-C/Hsg)	1401-404-155		1	1
Piston Ring (Comp)	1401-404-170		1	1
Insert (S/Back)	1401-635-300		1	1
Shaft Nut (RHT)	1401-404-350		1	1
Shaft Nut (LHT)	1401-404-351		1	1
Piston Ring (Turb)	1401-404-160		1	
Piston Ring (Step Gap)	1401-404-162			1
Gasket Oil Outlet	1900-000-042		1	1
Upgrade Thrust Kit (S/Back) Contains: thrust bearing, collar and spacer	1401-404-760	1	1	1

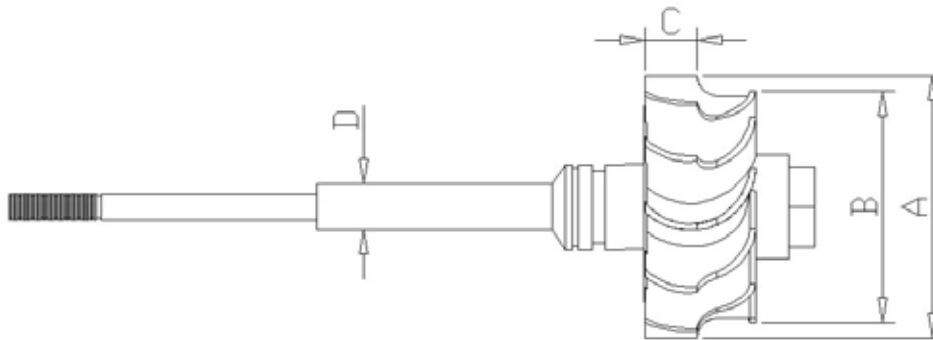
Note:

1. Care should be taken when installing the Performance Thrust System to ensure suitable clearance remains between the top of the thrust flinger and the bearing housing (allowing for shaft movement).
2. After installing the Performance Thrust System, check that the thrust clearance remains between 0.05mm-0.07mm (0.002"-0.003").
3. The Performance Thrust System is only available for use with super back compressor wheel. See Mitsubishi TD04 section for the full range of TD04 compressor wheels available from Melett.

TD04 Type

Major Replacement Parts - Detail

Shaft & Wheel



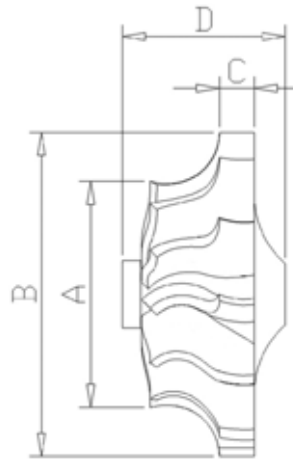
Melett Part No.	To replace MHI..	(A) Inducer Ø mm's	(B) Exducer Ø mm's	(C) Tip width mm's	(D) Shaft OD mm's
1401-404-436	TD04 H (49183-30100)	52.0	44.0	7.7	7.490 - 7.493
1401-404-437	TD04 Standard (49177-30130)	47.2	40.0	6.8	7.490 - 7.493
1401-404-438	TD04 HL (49189-30100)	52.0	45.6	8.9	7.490 - 7.493
1401-404-439	TD04 L (49177-30300)	46.8	41.2	7.7	7.490 - 7.493

Dimension for shaft diameter 'D' are minimum – maximum allowable limits for use with the standard journal bearing. Melett's fully qualified Engineers are available to answer any technical enquiry regarding limits, tolerances, and turbo set-up configurations. Email: Engineer@melett.com

TD04 Type

Major Replacement Parts - Detail

Compressor Wheel



Melett Part No.	To replace MHI No.	Trim	(A) Inducer \varnothing mm's	(B) Full \varnothing mm's	(C) Tip width mm's	(D) Total Hub Length	No. of Blades	
1401-404-400	49171-41410	TD04-9B	34.80	48.79	4.76	20.0	12	
1401-404-401	49171-41510	TD04-11B	37.05	49.00	5.14	20.0	12	
1401-404-402	49183-41500	TD04-13C	No Longer Available					
1401-404-403	49177-43300	TD04-11G	37.97	49.00	4.88	20.0	6/6	
1401-404-404	49177-44400	TD04-12T	37.81	49.00	5.26	22.5	6/6	
1401-404-413	49177-43400 49189-40200	TD04-13G	41.50	56.00	5.00	22.0	6/6	
1401-404-415	49189-40300	TD04-15G	43.37	56.01	5.41	22.0	6/6	
1401-404-424	(Volvo / BMW)	TD04-13T-4	38.30	51.00	4.68	24.2	6/6	
1401-404-425	(Subaru)	TD04-13T-6	40.64	56.00	4.98	26.2	6/6	
1401-404-426	49189-43500	TD04-15T	42.00	56.00	5.38	26.2	6/6	
1401-404-427	Not Known	TD04-16T	43.40	56.00	5.70	26.2	6/6	
1401-404-428		TD04-18T	In Development for 2007 – ask for latest availability					

These dimensions are supplied for identification purposes only

TD04 Type Bearing Housings

Melett Number	To replace MHI B/Hsg No.	Air / Water cooled	Description
1401-404-450	49177-25100	Air	Mitsubishi Models (Shogun/Pajero)
1401-404-451	49177-25310	Air	BMW 325/525
1401-404-452	49177-25600	Air	BMW 325/525 /Omega / Range Rover
1401-404-460	49189-26020	Water	Volvo 850 / Saab 9000 ('93-'98)
1401-404-461	49189-26030	Water	Volvo 740/760/940/960 ('89 –'95)
1401-404-462	49189-26050	Water	Volvo 850/S70 / Saab 9000 ('94-'99)

Note: 1401-404-450 Now in stock. Other bearing housings are due into stock throughout early 2007 – ask Melett Sales for latest availability.

Heat Shield

Melett Number	Description	Stock Status
1401-404-340	Heat Shield (Air Cooled)	IN STOCK
1401-404-341	Heat Shield (Water Cooled)	In Development – ask for latest availability

TD04 Type Turbine Housings



Make	Model	Year	Turbo Model	To fit turbo...	OE Housing No.	Kg	Melett Number
Mitsubishi	L200		TD04	49177-01503/4/5	49377-15530	2.5	1401-404-892
Mitsubishi	Pajero 2.5L	87 →	TD04	49177-02500	49377-15500	2.5	1401-404-890
Mitsubishi	Pajero 2.5L	87 →	TD04	49177-02501	49377-15500	2.5	1401-404-890
Mitsubishi	Pajero 2.5L		TD04	49177-02510	49377-15500	2.5	1401-404-890
Mitsubishi	Pajero 2.5L		TD04	49177-02511	49377-15500	2.5	1401-404-890
Mitsubishi	Pajero 2.5L	84 - 91	TD04	49177-01010	49177-15122	2.8	1401-404-891
Mitsubishi	Pajero 2.5L	84 - 91	TD04	49177-01500	49377-15122	2.8	1401-404-891
Mitsubishi	Pajero 2.5L	84 - 91	TD04	49177-01501	49377-15122	2.8	1401-404-891
Mitsubishi	Pajero 2.5L		TD04	49177-01510	49177-15122	2.8	1401-404-891
Mitsubishi	Pajero 2.5L		TD04	49177-01511	49377-15500	2.8	1401-404-891
Mitsubishi	Pajero 2.5L		TD04	49177-02512/3	49377-15530	2.5	1401-404-892
Mitsubishi	Pajero 2.8L		TD04	49377-03041/3	49377-13200/300		1401-404-893
Mitsubishi	Pajero 2.8L		TF035	49377-03041/3	49377-13200/300		1401-404-893
Mitsubishi	Pajero 2.8L		TF035	49135-03130	49135-12201		1401-635-891
Mitsubishi	L200 2.5L		TF035	49135-02110	49135-13601		1401-635-890
Mitsubishi	Pajero 2.5L		TF035	49135-02100	49135-13601		1401-635-890
Volvo	740/940 2L&2.3L	89 - 95	TD04H	49189-01000/ 1200/ 1210/ 1260/ 1270	49189-16270/ 16820/ 16830		1401-404-894
Volvo	850T5 2.3L	96 →	TD04HL	49189-01300	49189-17800		1401-404-895
Volvo	S70/V70 R	98 →	TD04HL	49189-01370/75	49189-17830		1401-404-896

TD04 Type

Major Replacement Parts – ‘Where Used’

OE Turbo No.	Model	MELETT Repair Kit	MELETT Brg Hsg	MELETT Shaft & Wheel	MELETT Comp Wheel
49177-00320	TD04L-13G	1401-404-752	49377-25210	1401-404-439	1401-404-413
49177-00420	TD04L-13G	1401-404-752	49377-25110	1401-404-439	1401-404-413
49177-00600	TD04-11B	1401-404-752	1401-404-450	1401-404-437	1401-404-401
49177-00620	TD04-11B	1401-404-752	1401-404-450	1401-404-437	1401-404-401
49177-00630	TD04-11B	1401-404-752	1401-404-450	1401-404-437	1401-404-401
49177-00640	TD04-9B	1401-404-752	1401-404-450	1401-404-437	1401-404-400
49177-00650	TD04-11B	1401-404-752	1401-404-450	1401-404-437	1401-404-401
49177-00660	TD04-11B	1401-404-752	1401-404-450	1401-404-437	1401-404-401
49177-00710	TD04-9B	1401-404-752	1401-404-450	1401-404-437	1401-404-400
49177-00720	TD04-11B	1401-404-752	1401-404-450	1401-404-437	1401-404-401
49177-00730	TD04-05B	1401-404-752	1401-404-450	1401-404-437	N/A
49177-00750	TD04-9B	1401-404-752	1401-404-450	1401-404-437	1401-404-400
49177-01000	TD04-9B	1401-404-752	1401-404-450	1401-404-437	1401-404-400
49177-01010	TD04-9B	1401-404-752	1401-404-450	1401-404-437	1401-404-400
49177-01010	TD04-9B	1401-404-752	1401-404-450	1401-404-437	1401-404-400
49177-01010	TD04-9B	1401-404-752	1401-404-450	1401-404-437	1401-404-400
49177-01010	TD04-9B	1401-404-752	1401-404-450	1401-404-437	1401-404-400
49177-01020	TD04-9B	1401-404-752	1401-404-450	1401-404-437	1401-404-400
49177-01020	TD04-9B	1401-404-752	1401-404-450	1401-404-437	1401-404-400
49177-01030	TD04-9B	1401-404-752	1401-404-450	1401-404-437	1401-404-400
49177-01100	TD04-9B	1401-404-752	1401-404-450	1401-404-437	1401-404-400
49177-01200	TD04-9B	1401-404-752	1401-404-450	1401-404-437	1401-404-400
49177-01210	TD04-9B	1401-404-752	1401-404-450	1401-404-437	1401-404-400
49177-01220	TD04-9B	1401-404-752	1401-404-450	1401-404-437	1401-404-400
49177-01230	TD04-9B	1401-404-752	1401-404-450	1401-404-437	1401-404-400
49177-01300	TD04-9B	1401-404-752	49177-25200	1401-404-437	1401-404-400
49177-01310	TD04-9B	1401-404-752	49177-25200	1401-404-437	1401-404-400
49177-01400	TD04-11B	1401-404-752	49177-25200	1401-404-437	1401-404-401
49177-01410	TD04-11B	1401-404-752	49177-25200	1401-404-437	1401-404-401
49177-01420	TD04-11B	1401-404-752	49177-25200	1401-404-437	1401-404-401
49177-01500	TD04-9B	1401-404-752	1401-404-450	1401-404-437	1401-404-400
49177-01501	TD04-9B	1401-404-752	1401-404-450	1401-404-437	1401-404-400
49177-01502	TD04-10T	1401-404-752	49177-25540	1401-404-437	N/A
49177-01503	TD04-10T	1401-404-752	49177-25540	1401-404-437	N/A
49177-01504	TD04-10T	1401-404-752	49377-25100	1401-404-437	N/A
49177-01505	TD04-10T	1401-404-752	49377-25100	1401-404-437	N/A
49177-01510	TD04-9B	1401-404-752	1401-404-450	1401-404-437	1401-404-400
49177-01511	TD04-9B	1401-404-752	1401-404-450	1401-404-437	1401-404-400
49177-01512	TD04-10T	1401-404-752	49177-25540	1401-404-437	N/A
49177-01513	TD04-10T	1401-404-752	49177-25540	1401-404-437	N/A
49177-01514	TD04-10T	1401-404-752	49377-25100	1401-404-437	N/A
49177-01515	TD04-10T	1401-404-752	49377-25100	1401-404-437	N/A
49177-01520	TD04-10T	1401-404-752	49177-25540	1401-404-437	N/A

Note: Numbers beginning **1401-** are available Melett replacement part No.s ; numbers beginning with 49*** are MHI OE numbers

TD04 Type

Major Replacement Parts – ‘Where Used’

OE Turbo No.	Model	MELETT Repair Kit	MELETT Brg Hsg	MELETT Shaft & Wheel	MELETT Comp Wheel
49177-01521	TD04-10T	1401-404-752	49377-25100	1401-404-437	N/A
49177-01530	TD04-10T	1401-404-752	49177-25540	1401-404-437	N/A
49177-01531	TD04-10T	1401-404-752	49377-25100	1401-404-437	N/A
49177-01600	TD04-9B	1401-404-752	49177-25200	1401-404-437	1401-404-400
49177-01700	TD04-11B	1401-404-752	49177-25200	1401-404-437	1401-404-401
49177-01710	TD04-11B	1401-404-752	49177-25520	1401-404-437	1401-404-401
49177-01800	TD04-11B	1401-404-752	49177-25200	1401-404-437	1401-404-401
49177-01810	TD04-11B	1401-404-752	49177-25520	1401-404-437	1401-404-401
49177-01900	TD04-13G	1401-404-752	49177-25510	1401-404-437	1401-404-413
49177-01901	TD04-13G	1401-404-752	49177-25550	1401-404-437	1401-404-413
49177-01901	TD04-13G	1401-404-752	49177-25550	1401-404-437	1401-404-413
49177-01910	TD04	1401-404-752	49377-25110	1401-404-437	N/A
49177-02100	TD04-7B	1401-404-752	1401-404-450	1401-404-437	1401-404-400
49177-02110	TD04-7B	1401-404-752	1401-404-450	1401-404-437	N/A
49177-02120	TD04	1401-404-752	1401-404-450	1401-404-437	N/A
49177-02130	TD04	1401-404-752	1401-404-450	1401-404-437	N/A
49177-02200	TD04S-5C	1401-404-752	1401-404-450	1401-404-437	N/A
49177-02300	TD04-11G	1401-404-752	49177-25520	1401-404-437	1401-404-403
49177-02301	TD04	1401-404-752	49177-25540	1401-404-437	N/A
49177-02310	TD04-11G	1401-404-752	49377-25100	1401-404-437	1401-404-403
49177-02310	TD04-11G	1401-404-752	49377-25100	1401-404-437	1401-404-403
49177-02400	TD04-11G	1401-404-752	49177-25520	1401-404-437	1401-404-403
49177-02401	TD04	1401-404-752	49177-25540	1401-404-437	N/A
49177-02410	TD04-11G	1401-404-752	49377-25100	1401-404-437	1401-404-403
49177-02410	TD04-11G	1401-404-752	49377-25100	1401-404-437	1401-404-403
49177-02500	TD04-11G	1401-404-752	1401-404-450	1401-404-437	1401-404-403
49177-02501	TD04-11G	1401-404-752	1401-404-450	1401-404-437	1401-404-403
49177-02502	TD04-11G	1401-404-752	49177-25540	1401-404-437	1401-404-403
49177-02503	TD04-11G	1401-404-752	49377-25100	1401-404-437	1401-404-403
49177-02510	TD04-11G	1401-404-752	1401-404-450	1401-404-437	1401-404-403
49177-02511	TD04-11G	1401-404-752	1401-404-450	1401-404-437	1401-404-403
49177-02512	TD04-11G	1401-404-752	49177-25540	1401-404-437	1401-404-403
49177-02513	TD04-11G	1401-404-752	49377-25100	1401-404-437	1401-404-403
49177-02520	TD04	1401-404-752	49177-25800	1401-404-437	N/A
49177-02521	TD04	1401-404-752	49377-25200	1401-404-437	N/A
49177-02530	TD04-10T	1401-404-752	49177-25800	1401-404-437	N/A
49177-02531	TD04-10T	1401-404-752	49377-25200	1401-404-437	N/A
49177-02540	TD04	1401-404-752	49177-25800	1401-404-437	N/A
49177-02541	TD04	1401-404-752	49377-25200	1401-404-437	N/A
49177-02550	TD04-10T	1401-404-752	49177-25800	1401-404-437	N/A
49177-02551	TD04-10T	1401-404-752	49377-25200	1401-404-437	N/A
49177-02600	TD04L-13G	1401-404-752	49177-25510	1401-404-439	1401-404-413
49177-02610	TD04L-13G	1401-404-752	49177-25510	1401-404-439	1401-404-413

Note: Numbers beginning 1401- are available Melett replacement part No.s ; numbers beginning with 49*** are MHI OE numbers

TD04 Type

Major Replacement Parts – ‘Where Used’

OE Turbo No.	Model	MELETT Repair Kit	MELETT Brg Hsg	MELETT Shaft & Wheel	MELETT Comp Wheel
49177-02620	TD04L-13G	1401-404-752	49177-25510	1401-404-439	1401-404-413
49177-02630	TD04L-13G	1401-404-752	49377-25110	1401-404-439	1401-404-413
49177-02640	TD04	1401-404-752	49377-25110	1401-404-437	N/A
49177-02702	TD04	1401-404-752	49377-25100	N/A	N/A
49177-02711	TD04	1401-404-752	49377-25100	N/A	N/A
49177-02721	TD04	1401-404-752	49377-25100	N/A	N/A
49177-03000	TD04-5B	1401-404-752	1401-404-450	1401-404-437	N/A
49177-03100	TD04-5B	1401-404-752	1401-404-450	1401-404-437	N/A
49177-03110	TD04-5B	1401-404-752	1401-404-450	1401-404-437	N/A
49177-03120	TD04-5B	1401-404-752	1401-404-450	1401-404-437	N/A
49177-03130	TD04-12T	1401-404-752	1401-404-450	1401-404-437	1401-404-404
49177-03140	TD04-12T	1401-404-752	1401-404-450	1401-404-437	1401-404-404
49177-03500	TD04S-5C	1401-404-752	1401-404-450	S	N/A
49177-03600	TD04L-5C	1401-404-752	1401-404-450	1401-404-439	N/A
49177-04010	TD04S-7B	1401-404-752	1401-404-450	S	N/A
49177-04500	TD04-7B	1401-404-752	1401-404-450	1401-404-437	N/A
49177-05000	TD04-7B	1401-404-752	1401-404-450	1401-404-437	N/A
49177-05100	TD04-7B	1401-404-752	1401-404-450	1401-404-437	N/A
49177-05200	TD04-7B	1401-404-752	1401-404-450	1401-404-437	N/A
49177-05300	TD04-5B	1401-404-752	1401-404-450	1401-404-437	N/A
49177-05400	TD04-5B	1401-404-752	1401-404-450	1401-404-437	N/A
49177-05500	TD04-7B	1401-404-752	1401-404-450	1401-404-437	N/A
49177-05600	TD04-9B	1401-404-752	1401-404-450	1401-404-437	1401-404-400
49177-05700	TD04S-7B	1401-404-752	1401-404-450	S	N/A
49177-05800	TD04-9B	1401-404-752	1401-404-450	1401-404-437	1401-404-400
49177-06000	TD04-11B	1401-404-752	1401-404-451	1401-404-437	1401-404-401
49177-06100	TD04-11B	1401-404-752	1401-404-451	1401-404-437	1401-404-401
49177-06200	TD04-11B	1401-404-752	1401-404-451	1401-404-437	1401-404-401
49177-06400	TD04-11G	1401-404-752	1401-404-452	1401-404-437	1401-404-403
49177-06410	TD04-11G	1401-404-752	1401-404-452	1401-404-437	1401-404-403
49177-06420	TD04-11G	1401-404-752	1401-404-452	1401-404-437	1401-404-403
49177-06422	TD04-11G	1401-404-752	1401-404-452	1401-404-437	1401-404-403
49177-06430	TD04-11G	1401-404-752	1401-404-452	1401-404-437	1401-404-403
49177-06440	TD04-11G	1401-404-752	1401-404-451	1401-404-437	1401-404-403
49177-06451	TD04-13T-4	1401-404-752	49177-25700	1401-404-437	1401-404-424
49177-06452	TD04-13T-4	1401-404-752	49177-20610	1401-404-437	1401-404-424
49177-06461	TD04-13T-4	1401-404-752	49177-25700	1401-404-437	1401-404-424
49177-06471	TD04-13T-4	1401-404-752	49177-25700	1401-404-437	1401-404-424
49177-06481	TD04-13T-4	1401-404-752	49177-25700	1401-404-437	1401-404-424
49177-06490	TD04-11G	1401-404-752	49177-20600	1401-404-437	1401-404-403
49177-06500	TD04-11G	1401-404-752	1401-404-452	1401-404-437	1401-404-403
49177-06510	TD04-11G	1401-404-752	1401-404-452	1401-404-437	1401-404-403
49177-06540	TD04-11G	1401-404-752	1401-404-451	1401-404-437	1401-404-403

Note: Numbers beginning 1401- are available Melett replacement part No.s ; numbers beginning with 49*** are MHI OE numbers

TD04 Type

Major Replacement Parts – ‘Where Used’

OE Turbo No.	Model	MELETT Repair Kit	MELETT Brg Hsg	MELETT Shaft & Wheel	MELETT Comp Wheel
49177-06571	TD04-13T-4	1401-404-752	49177-25700	1401-404-437	1401-404-424
49177-06572	TD04-13T-4	1401-404-752	49177-20610	1401-404-437	1401-404-424
49177-06581	TD04-13T-4	1401-404-752	49177-25700	1401-404-437	1401-404-424
49177-06582	TD04-13T-4	1401-404-752	49177-20610	1401-404-437	1401-404-424
49177-07500	TD04-9B	1401-404-752	1401-404-450	1401-404-437	1401-404-400
49177-07501	TD04-9B	1401-404-752	1401-404-450	1401-404-437	1401-404-400
49177-07502	TD04-10T	1401-404-752	49177-25540	1401-404-437	N/A
49177-07900	TD04-11B	1401-404-752	49177-25520	1401-404-437	1401-404-401
49177-07900	TD04-11B	1401-404-752	49177-25520	1401-404-437	1401-404-401
49177-90300	TD04-11B	1401-404-752	49177-25520	1401-404-437	1401-404-401
49177-90310	TD04	1401-404-752	49377-25100	1401-404-437	N/A
49177-90320	TD04-13G	1401-404-752		1401-404-437	1401-404-413
49177-90410	TD04L-13	1401-404-752	49377-25100	1401-404-439	N/A
49177-90420	TD04L-13G	1401-404-752		1401-404-439	1401-404-413
49177-91100	TD04-9B	1401-404-752	1401-404-450	1401-404-437	1401-404-400
49177-91200	TD04-9B	1401-404-752	1401-404-450	1401-404-437	1401-404-400
49177-91210	TD04-9B	1401-404-752	1401-404-450	1401-404-437	1401-404-400
49177-92702	TD04	1401-404-752	49377-25100	N/A	N/A
49189-00511	TD04HL-15G	1401-404-752	49189-26400	1401-404-438	1401-404-415
49189-00540	TD04HL-15G	1401-404-752	49189-26400	1401-404-438	1401-404-415
49189-00800	TD04HL-13G	1401-404-752	49189-26400	1401-404-438	1401-404-413
49189-00810	TD04HL-13G	1401-404-752	49189-26400	1401-404-438	1401-404-413
49189-00820	TD04HL-15G	1401-404-752	49189-26400	1401-404-438	1401-404-415
49189-00900	TD04HL-13G	1401-404-752	49189-26400	1401-404-438	1401-404-413
49189-01000	TD04H-13C	1401-404-752	1401-404-461	1401-404-436	1401-404-402
49189-01010	TD04H-13C	1401-404-752	1401-404-461	1401-404-436	1401-404-402
49189-01200	TD04H-13C	1401-404-752	1401-404-461	1401-404-436	1401-404-402
49189-01210	TD04H-13C	1401-404-752	1401-404-461	1401-404-436	1401-404-402
49189-01260	TD04H-13C	1401-404-752	1401-404-461	1401-404-436	1401-404-402
49189-01270	TD04H-13C	1401-404-752	1401-404-461	1401-404-436	1401-404-402
49189-01300	TD04HL-15G	1401-404-752	1401-404-462	1401-404-438	1401-404-415
49189-01301	TD04HL-15G	1401-404-752	1401-404-462	1401-404-438	1401-404-415
49189-01310	TD04HL-15G	1401-404-752	1401-404-462	1401-404-438	1401-404-415
49189-01320	TD04HL-15G	1401-404-752	49169-26050	1401-404-438	1401-404-415
49189-01330	TD04HL-16T	1401-404-752	1401-404-462	1401-404-438	1401-404-427
49189-01335	TD04HL-16T	1401-404-752	1401-404-462	1401-404-438	1401-404-427
49189-01350	TD04HL-16T	1401-404-752	1401-404-462	1401-404-438	1401-404-427
49189-01355	TD04HL-16T	1401-404-752	1401-404-462	1401-404-438	1401-404-427
49189-01360	TD04HL-13G	1401-404-752	1401-404-462	1401-404-438	1401-404-413
49189-01365	TD04HL-13G	1401-404-752	1401-404-462	1401-404-438	1401-404-413
49189-01370	TD04HL-18T	1401-404-752	1401-404-462	1401-404-438	N/A
49189-01375	TD04HL-18T	1401-404-752	1401-404-462	1401-404-438	N/A
49189-01400	TD04HL-13G	1401-404-752	1401-404-460	1401-404-438	1401-404-413

Note: Numbers beginning 1401- are available Melett replacement part No.s ; numbers beginning with 49*** are MHI OE numbers

TD04 Type

Major Replacement Parts – ‘Where Used’

OE Turbo No.	Model	MELETT Repair Kit	MELETT Brg Hsg	MELETT Shaft & Wheel	MELETT Comp Wheel
49189-01401	TD04HL-13G	1401-404-752	1401-404-460	1401-404-438	1401-404-413
49189-01410	TD04HL-13G	1401-404-752	1401-404-460	1401-404-438	1401-404-413
49189-01420	TD04HL-13G	1401-404-752	1401-404-460	1401-404-438	1401-404-413
49189-01430	TD04HL-13G	1401-404-752	1401-404-460	1401-404-438	1401-404-413
49189-01435	TD04HL-13G	1401-404-752	1401-404-460	1401-404-438	1401-404-413
49189-01450	TD04HL-16T	1401-404-752	1401-404-462	1401-404-438	1401-404-427
49189-01455	TD04HL-16T	1401-404-752	1401-404-462	1401-404-438	1401-404-427
49189-01600	TD04HL-15G	1401-404-752	1401-404-460	1401-404-438	1401-404-415
49189-01700	TD04HL-15T	1401-404-752	1401-404-462	1401-404-438	1401-404-426
49189-01800	TD04HL-15T	1401-404-752	1401-404-462	1401-404-438	1401-404-426
49189-05000	TD04HL-16T	1401-404-752	1401-404-462	1401-404-438	1401-404-427
49189-05010	TD04HL-16T	1401-404-752	1401-404-462	1401-404-438	1401-404-427
49189-05100	TD04HL-16T	1401-404-752	1401-404-462	1401-404-438	1401-404-427
49189-05101	TD04HL-16T	1401-404-752		1401-404-438	1401-404-427
49189-05111	TD04HL-16T	1401-404-752	1401-404-462	1401-404-438	1401-404-427
49189-05200	TD04HL-13T	1401-404-752	1401-404-462	1401-404-438	1401-404-425
49189-05201	TD04HL-13T	1401-404-752	1401-404-462	1401-404-438	1401-404-425
49189-05210	TD04HL-13T	1401-404-752	1401-404-462	1401-404-438	1401-404-425
49189-05211	TD04HL-13T	1401-404-752	49189-26150	1401-404-438	1401-404-425
49189-05300	TD04HL-18T	1401-404-752	1401-404-462	1401-404-438	N/A
49189-05310	TD04HL-18T	1401-404-752	1401-404-462	1401-404-438	N/A
49189-05400	TD04HL-19T	1401-404-752	49189-26060	1401-404-438	N/A
49189-05410	TD04HL-19T	1401-404-752	49189-26060	1401-404-438	N/A
49189-05411	TD04HL-19T	1401-404-752	49189-26160	1401-404-438	N/A
49377-00100	TD04	1401-404-752	49377-25400	1401-404-437	N/A
49377-00110	TD04	1401-404-752	49377-25410	1401-404-437	N/A
49377-02001	TD04-10T	1401-404-752	49177-25800	1401-404-437	N/A
49377-02002	TD04-10T	1401-404-752	49377-25200	1401-404-437	N/A
49377-02011	TD04-10T	1401-404-752	49177-25800	1401-404-437	N/A
49377-02012	TD04-10T	1401-404-752	49377-25200	1401-404-437	N/A
49377-02020	TD04-10T	1401-404-752	49177-25800	1401-404-437	N/A
49377-02021	TD04-10T	1401-404-752	49377-25200	1401-404-437	N/A
49377-02100	TD04L-14T	1401-404-752	49377-25110	1401-404-439	N/A
49377-03010	TD04-12T	1401-404-752	1401-404-450	1401-404-437	1401-404-404
49377-03020	TD04-12T	1401-404-752	1401-404-450	1401-404-437	1401-404-404
49377-03030	TD04-12T	1401-404-752	1401-404-450	1401-404-437	1401-404-404
49377-03031	TD04-12T	1401-404-752	1401-404-450	1401-404-437	1401-404-404
49377-03033	TD04-12T	1401-404-752	49377-25100	1401-404-437	1401-404-404
49377-03040	TD04-12T	1401-404-752	1401-404-450	1401-404-437	1401-404-404
49377-03041	TD04-12T	1401-404-752	1401-404-450	1401-404-437	1401-404-404
49377-03043	TD04-12T	1401-404-752	1401-404-450	1401-404-437	1401-404-404
49377-03050	TD04-12T	1401-404-752	1401-404-450	1401-404-437	1401-404-404
49377-03051	TD04-12T	1401-404-752	1401-404-450	1401-404-437	1401-404-404
49377-03053	TD04-12T	1401-404-752	1401-404-450	1401-404-437	1401-404-404

Note: Numbers beginning 1401- are available Melett replacement part No.s ; numbers beginning with 49*** are MHI OE numbers

TD04 Type

Major Replacement Parts – ‘Where Used’

OE Turbo No.	Model	MELETT Repair Kit	MELETT Brg Hsg	MELETT Shaft & Wheel	MELETT Comp Wheel
49377-04100	TD04L-13T	1401-404-752	49377-25310	1401-404-439	1401-404-425
49377-04180	TD04L-13T	1401-404-752	49377-25310	1401-404-439	1401-404-425
49377-04190	TD04L-13T	1401-404-752	49377-25310	1401-404-439	1401-404-425
49377-04200	TD04L-13T	1401-404-752	49377-25310	1401-404-439	1401-404-425
49377-04280	TD04L-13T	1401-404-752	49377-25310	1401-404-439	1401-404-425
49377-04290	TD04L-13T	1401-404-752	49377-25310	1401-404-439	1401-404-425
49377-04300	TD04L-13T	1401-404-752	49377-25310	1401-404-439	1401-404-425
49377-05000	TD04	1401-404-752	49377-25800	N/A	N/A
49377-05100	TD04-11G	1401-404-752	49177-25540	1401-404-437	1401-404-403
49377-05110	TD04	1401-404-752	49177-25550	N/A	N/A
49377-06000	TD04L-14T	1401-404-752	49377-25510	1401-404-439	N/A
49377-06010	TD04L-14T	1401-404-752	49377-25510	1401-404-439	N/A
49377-06050	TD04L-12T	1401-404-752	49377-25500	1401-404-439	1401-404-404
49377-06051	TD04L-12T	1401-404-752	49377-25500	1401-404-439	1401-404-404
49377-06060	TD04L-12T	1401-404-752	49377-25500	1401-404-439	1401-404-404
49377-06061	TD04L	1401-404-752	49377-25500	1401-404-439	N/A
49377-06100	TD04	1401-404-752	49377-25600	N/A	N/A
49377-06101	TD04	1401-404-752	49377-25600	N/A	N/A
49377-06110	TD04	1401-404-752	49377-25600	N/A	N/A
49377-06150	TD04L-14T	1401-404-752	49377-25510	1401-404-439	N/A
49377-06160	TD04L-14T	1401-404-752	49377-25510	1401-404-439	N/A
49377-06250	TD04L-12T	1401-404-752	49377-25500	1401-404-439	1401-404-404
49377-06260	TD04L-12T	1401-404-752	49377-25500	1401-404-439	1401-404-404
49377-06351	TD04L-12T	1401-404-752	49377-25520	1401-404-439	1401-404-404
49377-06361	TD04	1401-404-752	49377-25520	N/A	N/A
49377-07000	TD04L	1401-404-752	49177-25420	1401-404-439	N/A
49377-07010	TD04L	1401-404-752	49177-25420	1401-404-439	N/A
49377-07050	TD04L	1401-404-752	49177-25420	1401-404-439	N/A
49377-07070	TD04L	1401-404-752	49177-25420	1401-404-439	N/A
49377-07300	TD04-10T	1401-404-752	49377-25700	1401-404-437	N/A

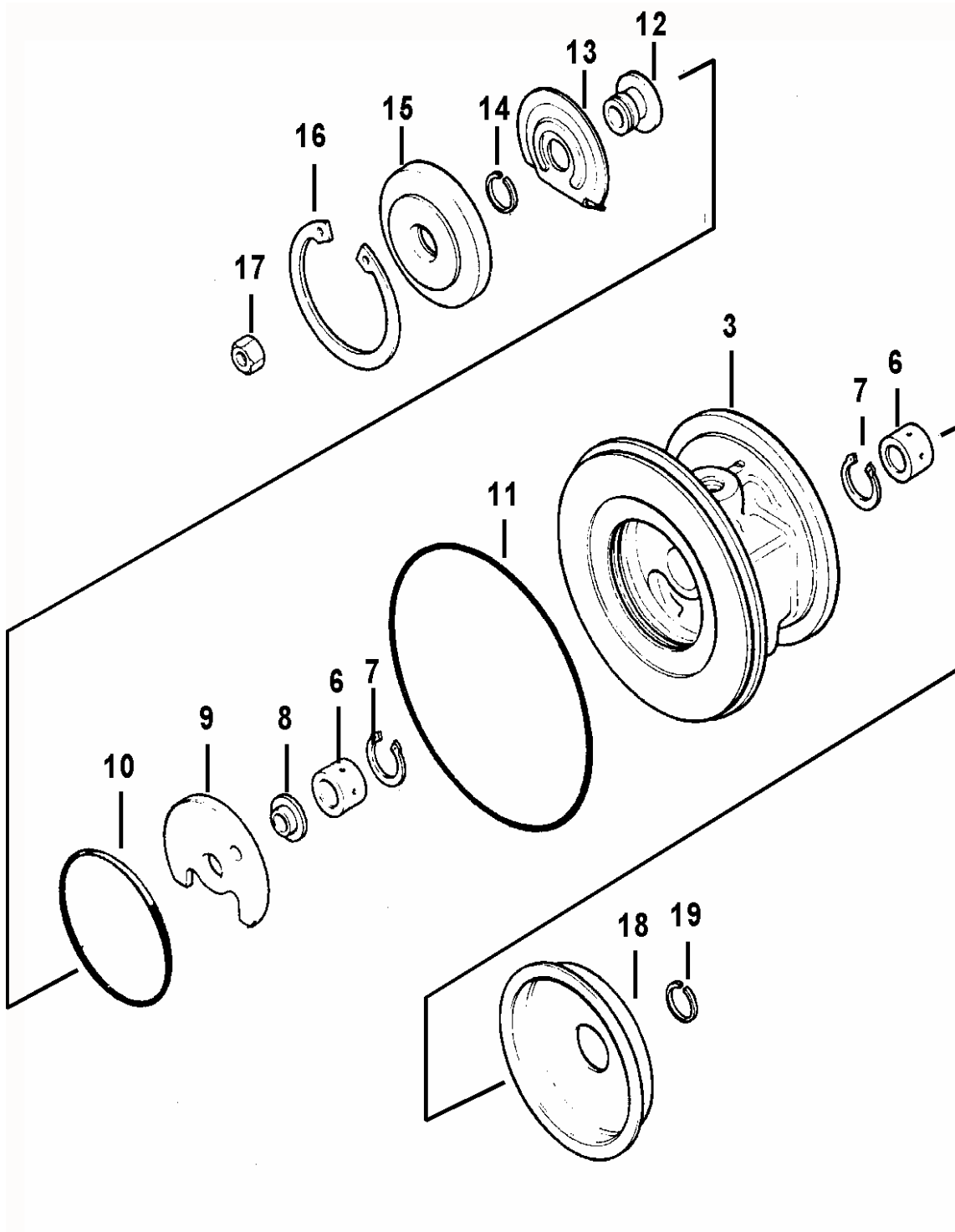
Note: Numbers beginning **1401-** are available Melett replacement part No.s ; numbers beginning with 49*** are MHI OE numbers

Mitsubishi TD05/6 & TE05 Type Turbos

Common Service Parts
Oversize Service Parts
Performance Upgrade Parts

TD05 / TD06 / TE05 Type

Common Service Parts



This illustration is a guide and does not necessarily show all parts accurately

TD05 / TD06 / TE05 Type

Repair Parts & Service Kits

All parts are available for purchase as individual components or in the following popular Repair Kits

Key	Part Description	MELETT Part Number	Qty Per Turbo	Repair Kit (Minor) 1401-405-750	Repair Kit (S/Back) 1401-405-751	Repair Kit (F/Back) 1401-405-752
6	Bearing (Std)	1401-405-100	2	2	2	2
7	Snap Ring	1401-405-140	2	2	2	2
8	Thrust Ring	1401-405-240	1		1	1
9	Thrust Bearing	1401-405-320	1	1	1	1
10	"O" Ring (Insert)	1401-405-150	1	1	1	1
11	"O" Ring (B/Hsg-C/Hsg)	1401-405-155	1	1	1	1
12	Flinger (8.81mm long. Super back)	1401-405-200	1		1	
12	Flinger (11.41mm long. Flat back)	1401-405-201	1			1
13	Oil Deflector	N/A	1			
14	Piston Ring (Comp)	1401-405-170	1	1	1	1
15	Insert	N/A	1			
16	Snap Ring (Large)	1401-405-142	1	1	1	1
17	Shaft Nut	1401-405-350	1	1	1	1
18	Heat Shield	N/A	1			
19	Piston Ring (Turb)	1401-405-160	1	1	1	1
	Gasket	1900-000-042	1	1	1	1
				Replace 49178-89200		

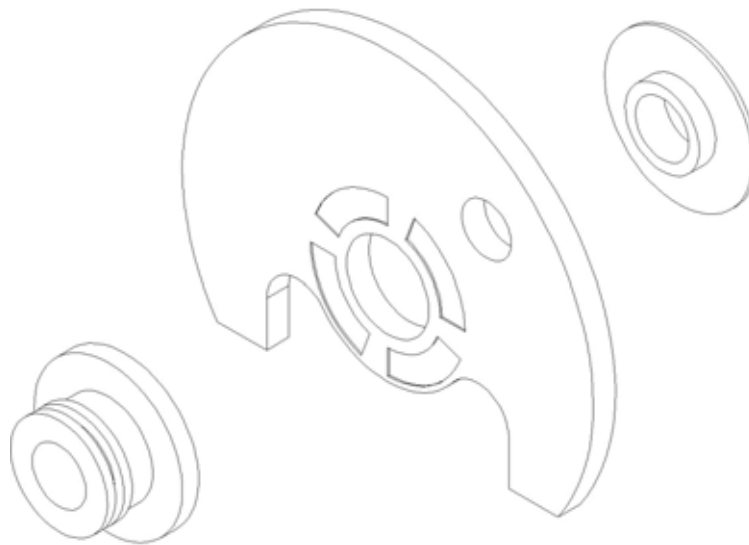
Oversize Repair Parts Available

Journal Bearings		
Original MHI Part Number (Std/Std): 49178-21400 / 21100		
Oversize's Available		Part Number
OD +.005"	ID -.005"	1401-405-110
OD +.005"	ID Std	1401-405-114
OD Std	ID -.005"	1401-405-117
OD +.010"	ID -.010"	1401-405-120
OD +.010"	ID Std	1401-405-124
OD Std	ID -.010"	1401-405-127

Piston Rings		
Original MHI Part Number (Turb End): 49178-23100		
Oversize's Available		Part Number
Turbine End		
OD +.010	Wth Std	1401-405-180
OD Std	Wth +.010	1401-405-181
OD +.010	Wth +.010	1401-405-182

TD05 Type Upgrade Parts

Performance Thrust System



For improved performance, Melett offer a 'Performance Thrust System' for the TD04 and TD05 turbo models.

Why use a Melett Performance Thrust System?

- When used in high performance applications, the original bronze material used in the standard bearing cannot carry the increased axial load. The increased centre point load over the unsupported thrust face can cause the material to flex. In extreme conditions, this flexing can create contact between the thrust faces resulting in immediate failure.
- The material used in the Performance Thrust System is a special steel alloy. The steel has a higher stress limit than bronze and is also a more rigid material, which will deflect less under the same loads.

High Performance Bearing Material

- The material used for the thrust bearing is a special alloy designed for use in applications requiring high strength and good bearing properties. It has up to 10% porosity making it an ideal bearing surface by absorbing the oil like a sponge.

Increased size of thrust face reducing contact stress

- To enable the thrust system to carry the increased load, the thrust collar and spacer are manufactured to a larger diameter. This spreads the load over a larger area.
- An extra oil feed supply hole to the centre of the bearing helps to increase lubrication to the larger thrust face and also improves cooling.

Note: These thrust parts must be used as a set and will not work in combination with the standard thrust parts.

TD05 Type Upgrade Parts

Performance Parts & Upgrade Kits

As well as supplying the Performance Thrust Kit as a separate item, Melett also offers the following upgrade kits that offer excellent value for money in comparison to buying the individual piece parts.

Standard Rotation

Description	Melett Part Number	Performance Thrust Kit 1401-405-760	Performance Service Kit 1401-405-755
Journal Brg	1401-405-100		2
Brg Retainer Clips	1401-405-140		2
O Ring (Insert)	1401-405-150		1
O Ring (B/Hsg-C/Hsg)	1401-405-155		1
Piston Ring T/E	1401-405-160		1
Piston Ring C/E	1401-405-170		1
Shaft Nut (RHT)	1401-405-350		1
Gasket (Oil outlet)	1900-000-042		1
Upgrade Thrust Kit (S/Back) (Contains: thrust bearing, collar and spacer)	1401-405-760	1	1

Reverse Rotation (Evolution Applications)

Description	Melett Part Number	Performance Thrust Kit 1401-405-761	Performance Service Kit 1401-405-756
Journal Brg	1401-405-100		2
Brg Retainer Clips	1401-405-140		2
O Ring (Insert)	1401-405-150		1
O Ring (B/Hsg-C/Hsg)	1401-405-155		1
Piston Ring T/E	1401-405-160		1
Piston Ring C/E	1401-405-170		1
Shaft Nut (RHT)	1401-405-350		1
Gasket (Oil outlet)	1900-000-042		1
Upgrade Thrust Kit (S/Back) (Contains: thrust bearing, collar and spacer)	1401-405-761	1	1

Note:

- Care should be taken when installing the Performance Thrust System to ensure suitable clearance remains between the top of the thrust flinger and the bearing housing (allowing for shaft movement).
- After installing the Performance Thrust System, check that the thrust clearance remains between 0.05mm-0.07mm (0.002"-0.003").

Cross Reference - Mitsubishi (MHI) to Melett

OE Number	Melett No	Description
49135-00015	1401-635-427	Comp. Wheel (TF035-13T)
49135-00016	1401-635-426	Comp. Wheel (TF035-12T)
49135-00044	1401-635-300	Insert /Seal Plate TF035/TD04 (S/Back)
49135-12201	1401-635-891	Turbine Hsg TF035 (Pajero/Shogun 2.8L)
49135-13601	1401-635-890	Turbine Hsg TF035 (to fit L200 2.5L)
49135-16401	1401-635-892	Turbine Hsg TF035 (Mitsubishi Canter)
49135-16611	1401-635-893	Turbine Hsg TF035 (Shogun/Pajero 3.2L)
49135-21101	1401-635-100	Bearing Std TD035/TF035
49135-30100	1401-635-435	Shaft & Wheel TF035-HM
49135-42200	1401-404-351	Shaft nut (TD04) L.H.Thread >
49160-11100	1250-404-340	Heat Shield
49160-12500	1250-404-142	Snap Ring
49160-13100	1100-120-645	Nut. V Band clamp
49160-14100	1250-404-345	V Band Clamp T/Hsg 7" 4MD
49160-14200	1250-404-346	V Band Clamp Assy Comp/Hsg 9"
49160-15800	1250-404-901	Noz Ring 4MD (.246)
49160-15901	1250-404-900	Noz Ring 4MD (.318)
49160-20100	1250-404-450	B/Hsg Oil inlet and outlet UNC
49160-21200	1250-404-100	Bearing 4MD Std OD/ Std ID (Grooved ends & ID)
49160-21500	1250-404-320	Thrust Bearing 4MD
49160-22100	1250-404-260	Oil Control Sleeve 4B, 4MD, 4HD
49160-22200	1250-404-310	Oil Deflector 4MD
49160-22501	1250-404-300	Insert Plate 4MD 4HD
49160-22603	1250-404-330	Spacer Plate
49160-23100	1250-404-141	Snap Ring 4MD
49160-23200	1250-404-140	Snap Ring
49160-23300	1150-400-170	Piston Ring (HSKM)
49160-23400	1250-404-150	O Ring 4MD
49160-23500	1100-120-610	Bolt. (Insert Plate)
49160-23600	1250-404-630	Spring Washer, lock tab, Thrust bearing
49160-23700	1150-400-172	Piston Ring
49160-30400	1250-404-435	Shaft and Wheel 4MD
49160-40100	1250-404-409	C/W 4MD-754
49160-40200	1250-404-400	Compressor Wheel 4MD-351
49160-40300	1250-404-402	Compressor Wheel 4MD-354
49160-40400	1250-404-404	Compressor Wheel 4MD-454
49160-40600	1250-404-411	C/W 4MD-755 also 4HD
49160-42100	1250-404-200	Flinger Sleeve
49160-42200	1250-404-240	Thrust Ring
49160-42300	1250-404-220	Spacer Sleeve
49160-42400	1250-404-250	Shim 0.003
49160-42500	1250-404-251	Shim 0.005"
49160-42600	1250-404-252	Shim 0.010"
49160-42700	1250-404-350	Shaft Nut 4MD
49160-42800	1250-404-350	Shaft Nut 4MD
49160-51100	1250-404-155	O Ring C/End 4MD
49162-21100	1250-040-100	Bearing (4LE- HC3 -HT3B -K361) Std OD/ Std ID
49162-21500	1250-040-320	Thrust Bearing (4L-/HC3/3LKS)
49162-21600	1250-040-320	Thrust Bearing (4L-/HC3/3LKS)
49162-21700	1250-040-320	Thrust Bearing (4L-/HC3/3LKS)
49162-21800	1250-040-320	Thrust Bearing (4L-/HC3/3LKS)
49162-22500	1250-403-300	Insert Plate

OE Number	Melett No	Description
49162-23100	1301-036-140	Snap Ring (H.S.K) TD09
49162-23200	1250-403-140	Snap Ring
49162-23400	1250-030-150	O Ring (Insert HSKM)
49162-23600	1250-030-150	O Ring (Insert HSKM)
49162-40401	1250-504-401	Comp Wheel 4LE 504 Radial
49162-42200	1301-036-240	Thrust Ring
49162-42300	1301-036-220	Spacer Sleeve (4LE/K36)
49162-42400	1150-504-200	Flinger Sleeve 4LE 2 ring groove (MELETTx 2 parts)
49162-42700	1250-040-350	Shaft nut (4LE/F/GK)
49164-22200	1250-403-310	Oil Deflector 3LD
49164-23300	1150-400-160	Piston Ring (HCSKM)
49164-23700	1150-400-160	Piston Ring Stainless TD09
49164-53100	1301-027-500	Clamp Plate (3LD/3LEP/K27 Comp.)
49166-21502	1250-403-321	Thrust Bearing 3LM
49166-22502	1150-513-300	Insert Plate 3FJ/3LM
49166-23300	1401-404-160	Piston Ring TD04 Turbine End
49166-42700	1100-120-350	Shaft Nut
49167-23100	1150-400-172	Piston Ring
49167-42200	1301-036-240	Thrust Ring 4LE
49168-22100	1401-405-150	O Ring - (TD05/TD06 I.P.)
49168-23200	1401-405-142	Circlip TD05 Bevelled
49168-42200	1401-405-350	Shaft Nut TD05/TD06 RHT>
49168-80400	1401-306-750	NOT AVAILABLE
49170-19100	1401-404-340	Heat Shield (TD04 Aircooled)
49170-23100	1401-405-170	Piston Ring TD05/06 Comp end >
49170-23200	1401-404-145	Insert snap ring TD04
49171-22100	1401-404-155	O Ring (TD04 B/Hsg / Chsg)
49171-41410	1401-404-400	Comp. Wheel MHI (TD04-9B)
49171-41510	1401-404-401	Comp. Wheel MHI (TD04-11B)
49172-23200	1401-404-170	Piston Ring (Comp. End TD04)
49173-22200	1401-404-310	Oil Deflector (TD04)
49173-22500	1401-404-300	Insert /Seal Plate (TD04 F/Back)
49174-21100	1401-408-100	Bearing TD08 (Std)
49177-08020	1401-404-700	Core Assy TD04-9B Shogun/Pajero (Air cooled)
49177-09600	1401-404-701	Core Assy TD04-11B BMW (Air cooled)
49177-15122	1401-404-891	Turbine Hsg TD04 (Shogun 2.3&2.5L)
49177-20310	1401-404-451	Bearing Housing MHI TD04 (Air cooled) BMW
49177-21100	1401-404-100	Bearing TD04, TE04H (std)
49177-21200	1401-404-100	Bearing (TD04) Std.
49177-21600	1401-404-320	Thrust Bearing (TDO4)
49177-21600	1401-404-320	Thrust Bearing (TDO4)
49177-22100	1401-404-155	O Ring - TD04 B/Hsg to C/Cover
49177-22200	1401-404-150	O Ring - (Seal Plate TD04)
49177-22300	1401-404-140	Snap Ring (TD04)
49177-23100	1401-404-160	Piston Ring (Turb. End TD04)
49177-25100	1401-404-450	Bearing Housing TD04 (replace 49177-25100)
49177-25300	1401-404-451	Bearing Housing MHI TD04 (Air cooled) BMW
49177-25310	1401-404-451	Dropped at Development (Low demand)
49177-25600	1401-404-452	Bearing Housing TD04 BMW (replace 49177-25600)
49177-25700	1401-404-453	Bearing Housing TD04-13T (replace 49177-25700)
49177-30130	1401-404-437	Shaft & Wheel TD04 Standard
49177-30300	1401-404-439	Shaft & Wheel TD04L (Subaru/Volvo)
49177-42200	1401-404-350	Shaft nut (TD04) R.H.Thread
49177-42300	1401-404-240	Thrust Ring (TD04)

OE Number	Melett No	Description
49177-42500	1401-635-200	Thrust Flinger (TF035/TD04 S/Back)
49177-43300	1401-404-403	Comp. Wheel MHI (TD04-11G)
49177-44400	1401-404-404	Comp. Wheel MHI (TD04-12T)
49177-80400	1401-404-753	Major Kit TD04 Major (Flatback)
49177-80405	1401-404-750	Minor Kit TD04 (R/H-Thread Shaft Nut)
49177-80410	1401-404-755	Major Kit TD04 Universal (S/Back & Flatbk)
49178-21100	1401-405-100	Bearing Std/Std TD05/06 (Std)For use with Diesel Engines
49178-21400	1401-405-100	Bearing TD05/TD06 (Std/Std)
49178-21500	1401-405-320	Thrust Bearing TD05/06
49178-21600	1401-405-320	Thrust Bearing TD05
49178-22300	1100-040-140	Snap Ring TD05/06
49178-22300	1401-405-140	Bearing Retaining Ring TD05
49178-22300	1401-406-140	Snap Ring (TD05/TD06 Bore) >
49178-23100	1401-405-160	Piston Ring TD05/TD06 Turb end
49178-42100	1401-405-200	Thrust Collar/Flinger TD05 (8.81mm Lg) Superback
49178-42300	1401-405-240	Thrust Ring TD05
49178-89200	1401-405-750	Service kit TD05
49183-19300	1401-404-341	Heat Shield (TD04) Water Cooled B/Hsg
49183-21100	1401-404-100	Bearing TD04, TE04H (std)
49183-22300	1401-404-141	Spiral Snap Ring (As genuine MHI)
49183-30100	1401-404-436	Shaft & Wheel TD04H
49183-41500	1401-404-402	Comp. Wheel MHI (TD04-13C) - NOT CURRENTLY AVAILABLE
49183-41500	1401-404-415	Comp Wheel MHI (TD04HL-15G-7) Volvo car
49183-42100	1401-404-200	Thrust Flinger (Flatback)
49188-21500	1401-408-320	Thrust Bearing TD08
49189-01400	1401-404-413	Comp. Wheel MHI (TD04-13G)
49189-16270	1401-404-894	Turbine Hsg TD04 (Volvo 740/940 2L&2.3L)
49189-16820	1401-404-894	Turbine Hsg TD04 (Volvo 740/940 2L&2.3L)
49189-16830	1401-404-894	Turbine Hsg TD04 (Volvo 740/940 2L&2.3L)
49189-17800	1401-404-895	Turbine Hsg TD04 (Volvo 850T5 2.3L)
49189-17830	1401-404-896	Turbine Hsg TD04 (Volvo S70/V70 R)
49189-26020	1401-404-460	Bearing Housing TD04-13C Volvo (W/Cooled)
49189-26030	1401-404-461	Bearing Housing TD04-56mm Volvo (W/Cooled)
49189-26050	1401-404-462	Bearing Housing TD04 W/C
49189-30100	1401-404-438	Shaft & Wheel TD04HL
49189-40300	1401-404-415	Comp. Wheel MHI (TD04-15G)
49189-43500	1401-404-426	Comp. Wheel MHI (TD04-15T)
49377-13200	1401-404-893	Turbine Hsg TD04 (Pajero/Shogun 2.8L)
49377-13300	1401-404-893	Turbine Hsg TD04 (Pajero/Shogun 2.8L)
49377-15200	1401-404-891	Turbine Housing Assy TD04-4CM2 SS 49177-15122
49377-15200	1401-404-891	Turbine Housing Assy TD04-4CM2 SSB 49377-15200
49377-15500	1401-404-890	Turbine Hsg TD04 (Shogun, Pagero 2.5L)
49377-15530	1401-404-892	Turbine Hsg TD04 (for W/Cooled B/Hsg)